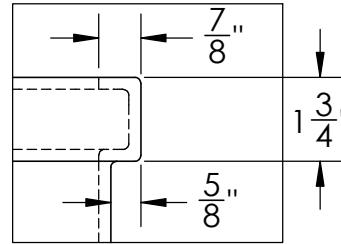
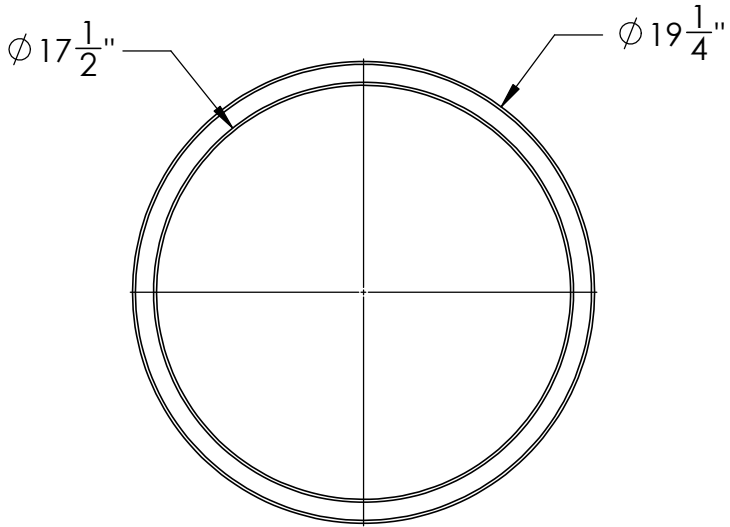
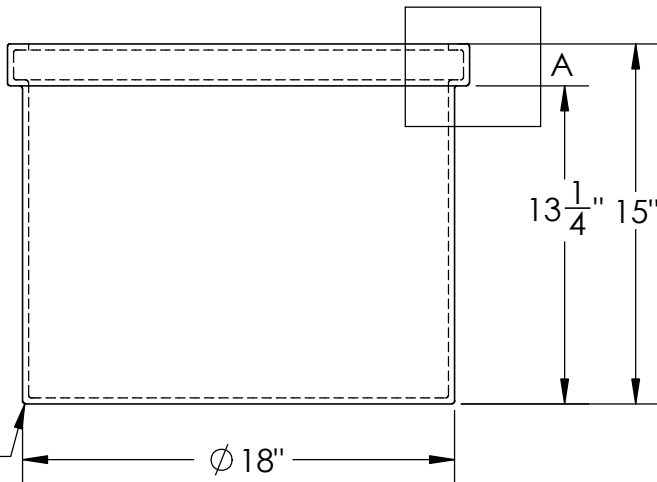
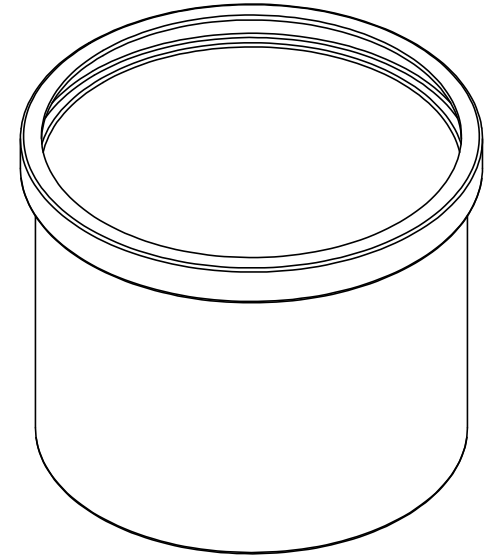


Catalog options:
Cover #3021, Floating Cover #3014, Tank Stand #5061



DETAIL A



ALL FILLETS AND
ROUNDS R $\frac{1}{8}$ "

Extra Heavy Wall
Polyethylene Tank
w/ External Flange #4149

TAMCO
INDUSTRIES
1390 Neubrecht Road
Lima, Ohio 45801

DIMENSIONS ARE IN INCHES TOLERANCE: $\pm 1/4$ "		NAME	DATE
MATERIAL	LLDPE - FDA resin	DRAWN	CDH 06/08/16
CAPACITY	14 US gal.	APPROVED	NJV 12/3/25
GRADUATIONS	2 gal.	COMMENTS:	
NOMINAL WALL THICKNESS	1/4"	Translucent UV Stabilized	

PROPRIETARY AND CONFIDENTIAL
THE INFORMATION CONTAINED IN THIS
DRAWING IS THE SOLE PROPERTY OF
TAMCO. ANY REPRODUCTION IN PART
OR AS A WHOLE WITHOUT THE WRITTEN
PERMISSION OF TAMCO IS PROHIBITED.

MAX. OPERATING TEMP. 140°F
INTERMITTENT SERVICE TO 160°F
SEE CHEMICAL RESISTANCE
CHART FOR COMPATIBILITY

STOCK NO.	4149	REV	A
DO NOT SCALE DRAWING		WEIGHT: 9 lbs.	