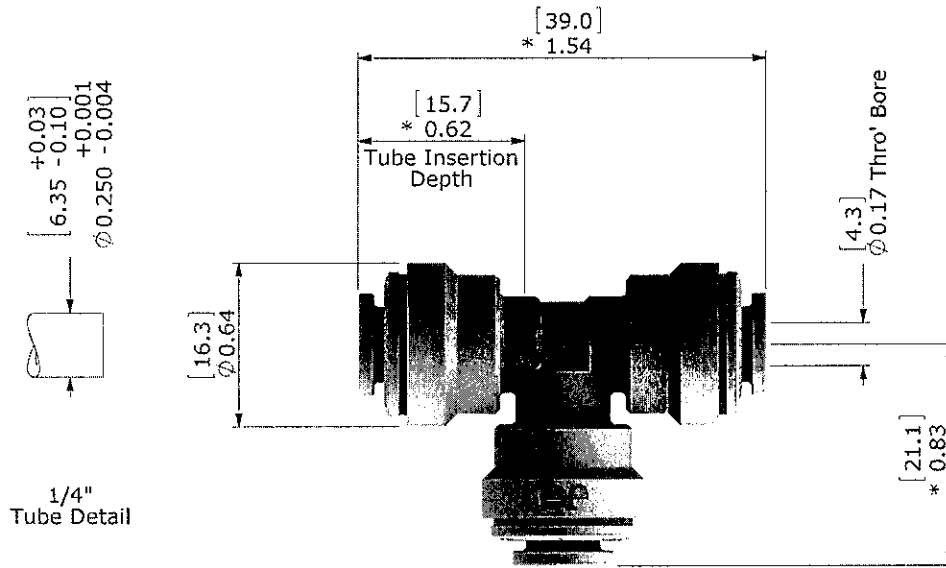


1/4" Equal Tee Connector

The John Guest Polypropylene 1/4" Equal Tee Connector has been developed to satisfy the needs of the water purification industry and is more chemically resistant than acetal products.



*With Collet(s) in release position

Product No.	Colour
PP0208E	Black
PP0208W	White

Dimensions in Inches & [mm]

Parts List

Part Description	Material	Part Description	Material
Body	Polypropylene (Mineral Filled), White or Black	O'Rings	Ethylene Propylene (EPDM), Black
Collets	Polypropylene (Mineral Filled), White or Black & Stainless Steel		

Technical Information

Working Pressures & Temperatures	Applications
Max 150psi at 70 °F 60psi at 140 °F [10bar at 20 °C] [4bar at 60 °C] Minimum Temperature 33 °F [1 °C]	Potable Water ✓ Drinks Dispense ✓

The Copyright in this drawing and the products referred thereon belong to John Guest International Limited and this drawing nor the information contained herein shall be produced in any form or used for any purpose without written consent © 2013

The company has a policy of continuous research and development and reserves the right to amend without notice the specification and design of all products illustrated. For details of Terms and Conditions and any other technical enquiries, please contact our Customer Services Department on 01895 449233. Alternatively, call our Technical Helpdesk on 01895 423333

131106