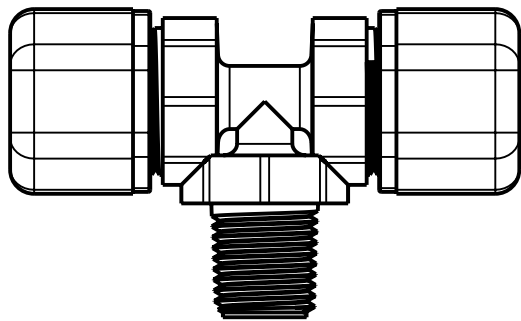
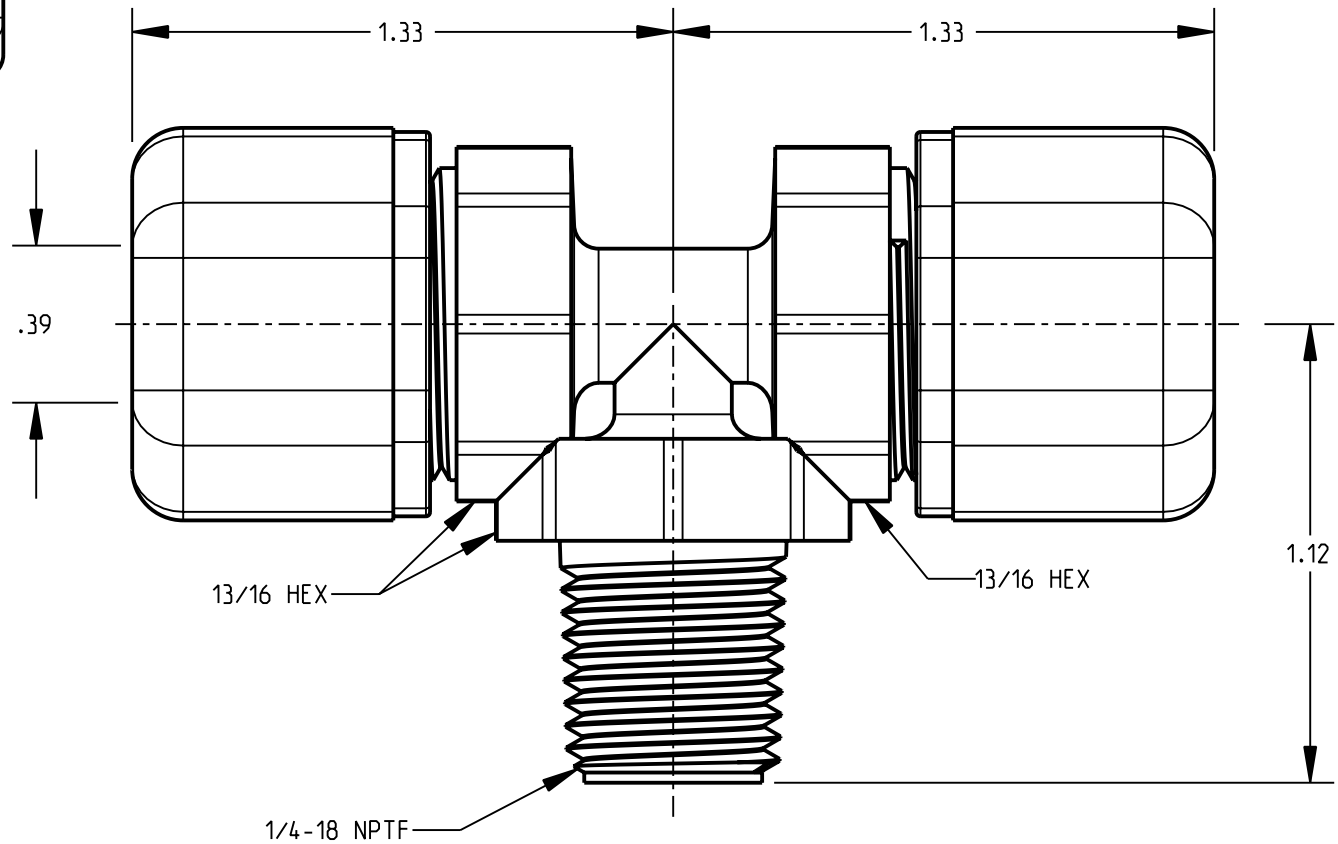


CUSTOMER PRINT



SCALE 1.000



NOTES:
 ALL DIMENSIONS FOR REFERENCE ONLY
 MATERIAL: BLACK POLYPROPYLENE
 O-RING: NITRILE

MATERIAL	NOTED
FINISH	
ESTIMATED WEIGHT	



PARKER HANNIFIN CORPORATION
 FLUID SYSTEM CONNECTORS DIVISION
 300 PARKER DRIVE
 OTSEGO, MICHIGAN 49078

TITLE
 FAST & TITE MALE BRANCH TEE

THIS DOCUMENT CONTAINS INFORMATION THAT IS CONFIDENTIAL AND PROPRIETARY TO PARKER HANNIFIN. THIS DOCUMENT IS FURNISHED ON THE UNDERSTANDING THAT THE DOCUMENT AND THE INFORMATION IT CONTAINS WILL NOT BE COPIED OR DISCLOSED TO OTHERS EXCEPT WITH THE WRITTEN CONSENT OF PARKER. WILL NOT BE USED FOR ANY PURPOSE OTHER THAN CONDUCTING BUSINESS WITH PARKER, AND WILL BE RETURNED AND ALL FURTHER USE DISCONTINUED UPON REQUEST BY PARKER. COPYRIGHT PARKER, YEAR OF COPYRIGHT IS FIRST YEAR INDICATED ON THIS DOCUMENT. ALL RIGHTS RESERVED.

DRAWN	
BY	DATE
AJD	10/10

SIZE	PART NUMBER	REV.
A	P6MT4	-