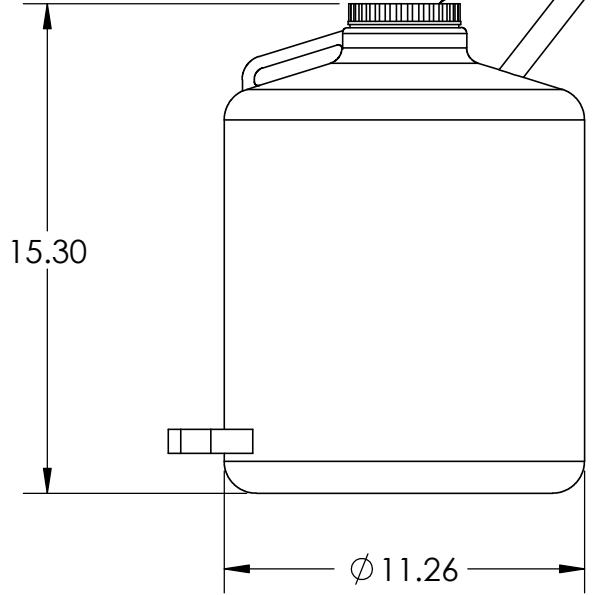
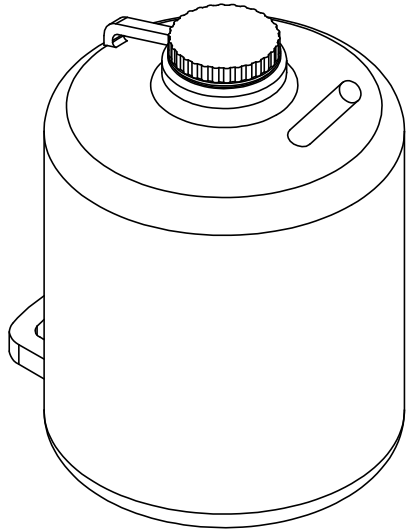


Extra Handle

100-415 Cap

Spout with Stopper on Permanent Lanyard



15.30

Ø 11.26

Nalgene LDPE Wide-Mouth Carboy Modified by Tamco with Handle and Spout #67004



1390 Neubrecht Road  
Lima, Ohio 45801

DIMENSIONS ARE IN INCHES TOLERANCE: ± 1/4"		NAME	DATE
MATERIAL	LDPE	DRAWN	CDH 07/11/16
CAPACITY	4 US gal.	APPROVED	BAT 07/13/16
GRADUATIONS	NO	COMMENTS: Polypropylene Cap	
NOMINAL WALL THICKNESS	0.18"		

**PROPRIETARY AND CONFIDENTIAL**  
THE INFORMATION CONTAINED IN THIS DRAWING IS THE SOLE PROPERTY OF TAMCO. ANY REPRODUCTION IN PART OR AS A WHOLE WITHOUT THE WRITTEN PERMISSION OF TAMCO IS PROHIBITED.

MAX. OPERATING TEMP. 140°F  
INTERMITTENT SERVICE TO 160°F  
SEE CHEMICAL RESISTANCE CHART FOR COMPATIBILITY

STOCK NO.	67004	REV	A
DO NOT SCALE DRAWING		WEIGHT: 3.8 lbs.	