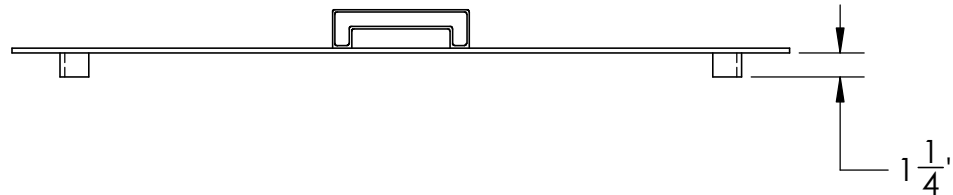
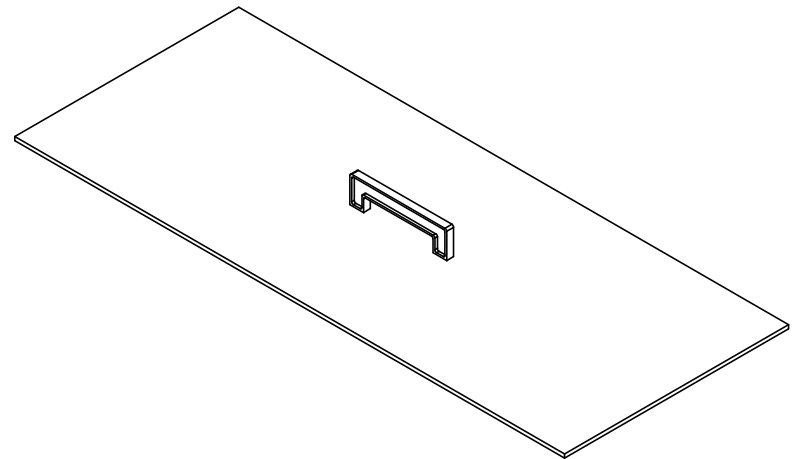
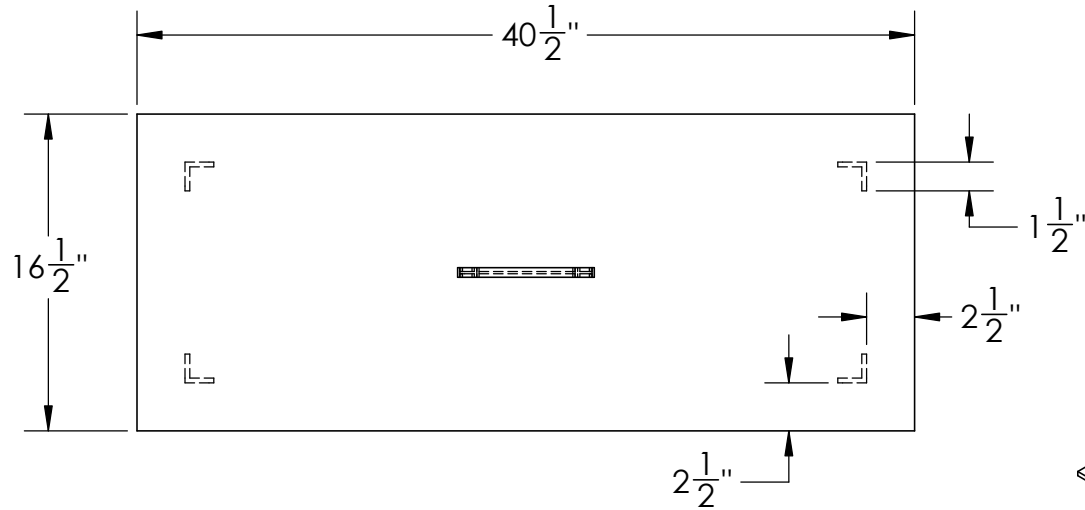


Catalog Option:
Tanks: #9173, #9174, #9175



Rectangular Tank
Cover #9196



1390 Neubrecht Road
Lima, Ohio 45801

STOCK NO.

9196

REV

A

DO NOT SCALE DRAWING

WEIGHT: 5.8 lbs.

DIMENSIONS ARE IN INCHES
TOLERANCE: ± 1/4"

MATERIAL
POLYPROPYLENE

CAPACITY N/A

GRADUATIONS N/A

NOMINAL WALL THICKNESS
1/4"

	NAME	DATE
DRAWN	CDH	07/06/16
APPROVED	BAT	07/14/16

COMMENTS:

Welded
Construction

PROPRIETARY AND CONFIDENTIAL

THE INFORMATION CONTAINED IN THIS DRAWING IS THE SOLE PROPERTY OF TAMCO. ANY REPRODUCTION IN PART OR AS A WHOLE WITHOUT THE WRITTEN PERMISSION OF TAMCO IS PROHIBITED.

MAX. OPERATING TEMP. 200°F
SEE CHEMICAL RESISTANCE
CHART FOR COMPATABILITY