



Series 83 - Electromni® T-27

Standard Features (Sizes 1/2" – 2")

- PVC or CPVC Omni® Type-27 valve
(all materials Type-21 or Type-23 ball valves up to 2")
- Standard models are 115 VAC thermally protected with single limit switch cam/coupling activated
- Sealed weatherproof enclosure includes:
 - Flanged cover and base Type 4X rated enclosure with Nitrile flat gasket seal
 - Nitrile O-ring or gasket valve to actuator base seal
 - Nitrile motor mounting bolt seals
 - NPT threaded to base 90° elbow provides 1/2" NPT conduit entry with 6" color coded wire leads
- Interated ISO mounting pattern baseplates
- Direct mounted valves - No mounting bracket required
- Sealed 90° cable entry elbow
- Captivated stainless steel hex head slotted cover screws
- Quarter-turn five second cycle time unidirectional (115 and 220 VAC) motors
- Quarter-turn five second cycle time for low voltage reversing motors (12/24 VAC, 12/24 VDC)
- Compact and low profile, ideal for OEM type installations

Options

- Voltages: 220 VAC, 12/24 VAC, 12/24 VDC
- Two-wire control relay for retrofitting solenoid (requires constant power and SPST dry contact switching)
- One additional limit switch for open/close position indication
- Amber/green position indicating lights

Specifications

Motor Type: Unidirectional, Single phase

Size: A83 1/2" - 2" valves

Torque: 120 in/lbs.

Voltage: 115 VAC, 50/60 Hz

Amp Draw: 2.1 Amps

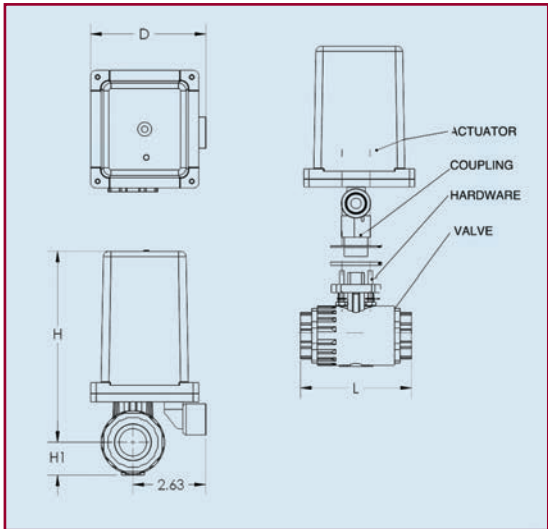
Temp: Ambient Temp to 150° F

Switches: One single pole, Double throw (15 Amp rating)

Enclosures: Corrosion/Weather proof -Type 4X

Sample Specification

All open/close electrically actuated ball valves, sizes 1/2" through 2", shall have direct mounted unidirectional quarter-turn actuators 115 VAC and 220 VAC, (12/24 VAC/VDC shall be reversing). Actuator shall be rated Type 4X design with gasket cover to base seal, captive cover screws, (1) 1/2" NPT conduit fitting with wires protruding 6" for customer hook-up and O-ring or gasket to valve seal. A green wire lead shall be provided for grounding purposes. The actuators shall be factory equipped with Omni® Type-27, Type-21 or Type-23 ball valves, as manufactured by Asahi/America, Inc.



Wt. (lbs.)/Dimensions (in.) Voltage

NOMINAL SIZE	WT. (LBS.)	H	H1	L	D	Voltage	Current Draw (amps)	Cycle Time (sec)	Duty Cycle [%]
1/2	15	1.75	6.68	.81	3.11	115 VAC	2.10	5	25
3/4	20	2.00	6.96	1.00	3.70	220 VAC	.60	5	25
1	25	2.50	7.23	1.18	4.25	12 VAC	2.25	5	75
1-1/4	30	2.75	7.59	1.38	4.76	24 VAC	4.00	5	75
1-1/2	40	3.00	7.92	1.66	5.75	12 VDC	2.00	5	75
2	50	4.00	8.37	2.09	6.86	24 VDC	3.50	5	75

Duty cycle show for ambient temp. (73° F)