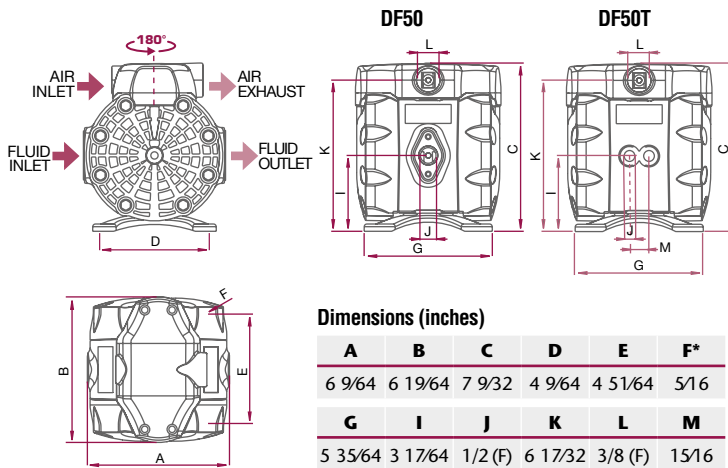


DF50 & DF50T PLASTIC PUMPS

TECHNICAL DATA

Pressure ratio	1:1
Maximum free delivery (1)	14 US gal/min (50 l/min)
Delivery per stroke approx. (1)	0.026 US gal (0,1 liters)
Delivery per cycle (2 x strokes) (1)	0.05 US gal (0,2 liters)
Air pressure operating range	22 to 115 psi (1,5 to 8 bar)
Solids in suspension max. size	1/8" (3 mm)
Maximum dry suction lift (1)	20' (6 m)
Maximum wet suction lift (1)	26' (8 m)
Weight	4.85 lb (2,2 kg)
Fluid inlet connection	1/2" NPT/BSP (F) - 2 x 3/8" NPT/BSP DF50T
Fluid outlet connection	1/2" NPT/BSP (F)
Air inlet connection	3/8" NPSM (F)
Wetted part materials	See recommended models

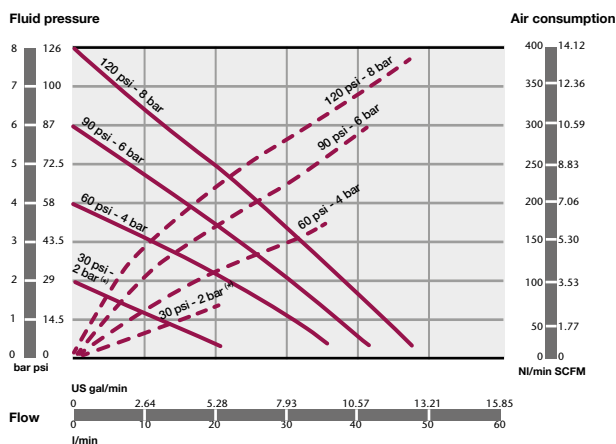
(1) Data measured with water, air inlet pressure 100 psi (7 bar), 68 °F (20 °C).



* Diameter of the holes for fasteners in each of the four pump feet.

PERFORMANCE CURVES

Tested at room temperature, with water and flooded pump with 31 1/2" (800 mm) height of water above the pump inlet.



(*) 30 psi test with a pump fitted with PTFE (Teflon®) diaphragms.

— Outlet pressure - - - - Air consumption

DF50 & DF50T PLASTIC PUMP CODING SYSTEM

1	2	3	4	5	6	7	8	9	10
DF50	P	P	S	E	S	T	M	B	AS

1 PUMP SIZE

DF50
DF50T (Dual inlet)

2 AIR MOTOR: DIRECTIONAL VALVE & AIR CHAMBER COVERS

P = Polypropylene

3 WETTED PUMP BODY

P = Polypropylene
B = Conductive Polypropylene (ATEX pump)
D = Conductive Acetal (ATEX pump)
W = PVDF *
K = Conductive PVDF (ATEX pump) *

4 PUSH ROD

S = Stainless Steel AISI 420
Y = Hastelloy® C *

5 SEALS

V = FKM (Viton®)
E = EPDM
T = PTFE (Teflon®)

6 CHECK VALVE SEATS

S = Stainless Steel AISI 316
W = PVDF *

7 CHECK VALVE BALLS

T = PTFE (Teflon®)
C = Acetal
S = Stainless Steel AISI 316

8 DIAPHRAGMS

T = PTFE (Teflon®)
M = Santoprene®
H = TPE (Hytrel®)

9 FLUID CONNECTION THREADS

B = BSP
N = NPT

10 OPTIONS

AS = Standard pump
BS = Remote air exhaust
ES = Externally driven
FS = Extra muffler
GS = NPN inductive external pump control sensor.
IS = ATEX inductive external pump control sensor.
JS = PNP inductive external pump control sensor
US = Special UV ink pump

(*) Not for DF50T pumps

