



UL-508  
Listed

## Series 94 Electric Actuators

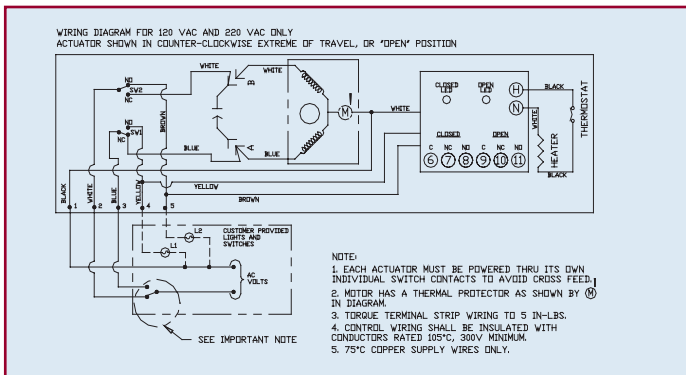
### Standard Features (Sizes 1/2" - 3")

- Brushless, capacitor-run motors (AC models)
- Integral thermal overload protection with auto-reset (AC models)
- Permanently lubricated gear train
- High duty cycle motor for high cycle applications
- Corrosion-proof/weatherproof rated Type 4X engineered resin housing with stainless steel trim
- ISO mounting
- Two 1/2" NPT conduit ports prevent interference between control and power signals
- Compact design
- Declutchable manual override
- Standard travel stop limit switches can simultaneously be used for indicator lights
- Visible position indicator
- Captivated SS hex head slotted cover screws

### Options

- Fail safe battery pack
- Extra limit switches
- Heater and thermostat (to -40° F)
- RHM module consists of 2-SPDT 8A relays/dry contacts and heater and thermostat (see page 26)
- Feedback potentiometer
- Positioner: 4-20 mA or 0-10 VDC input
- 4-20 mA output position transmitter
- Voltages: 220 VAC, 24 VAC, 12 VAC, 24 VDC, 12 VDC
- Mechanical brake (eliminates seating oscillation)

### AC Wiring (For 120 VAC and 220 VAC only)



### Specifications

**Motor Type:** Reversing, 1/4 turn, single phase

**Sizes:** A94, B94 for sizes  
1/2" - 3" ball valves

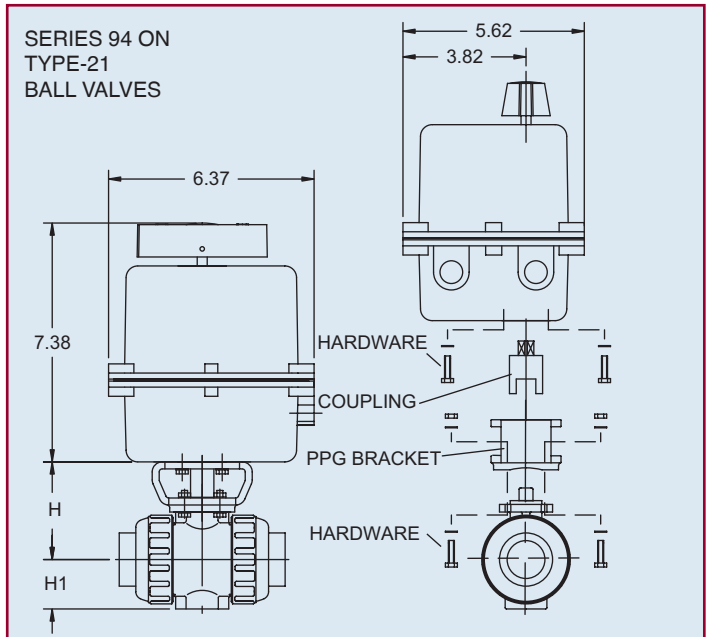
**Torque:** 150 to 300 in.-lbs.

**Voltage:** 120 VAC, 50/60 Hz

**Amp Draw:** For A94: .50 Amps  
For B94: .80 Amps

**Max Ambient Temp:** 150° F

**Switches:** Two single pole, double throw  
(15 Amp rating)



### Engineering Data

Actuator Model	Torque (in.-lbs.)	Duty Cycle	Cycle Time* (sec)	Weight (lbs.)	Amp Draw					
					120 VAC	220 VAC	24 VAC	12 VAC	24 VDC	12 VDC
A94	150	100	5	3.5	0.5	0.4	4.0	2.0	4.0	2.0
B94	300	75	5	3.5	0.8	0.6	4.0	2.0	4.0	2.0

Cycle times are approximate.

Duty cycle show for ambient temp. (73° F)

#### NOTE TO WIRING DIAGRAM:

1. EACH ACTUATOR MUST BE POWERED THROUGH ITS OWN INDIVIDUAL SWITCH CONTACTS TO AVOID CROSS FEED.
2. WIRING AS SHOWN IS FOR A94 AND B94 MODELS.
3. MOTOR HAS A THERMAL PROTECTOR AS SHOWN BY IN DIAGRAM. (120 AND 220 VAC MODEL).
4. IF 120 & 220 VAC MODELS ARE PLC DRIVEN, OUTPUT CONTACTS OF PLC SHOULD BE RATED AT A MINIMUM OF 1.5 TIMES REQUIRED INPUT VOLTAGE OF ACTUATOR.

### Dimensions (in.)

NOMINAL SIZE		H	H1
INCHES	mm		
1/2	15	2.76	1.14
3/4	20	3.01	1.38
1	25	3.29	1.54
1-1/4	30	3.64	1.85
1-1/2	40	3.98	2.17
2	50	4.43	2.60
2-1/2	65	5.12	2.83
3	80	5.47	3.35