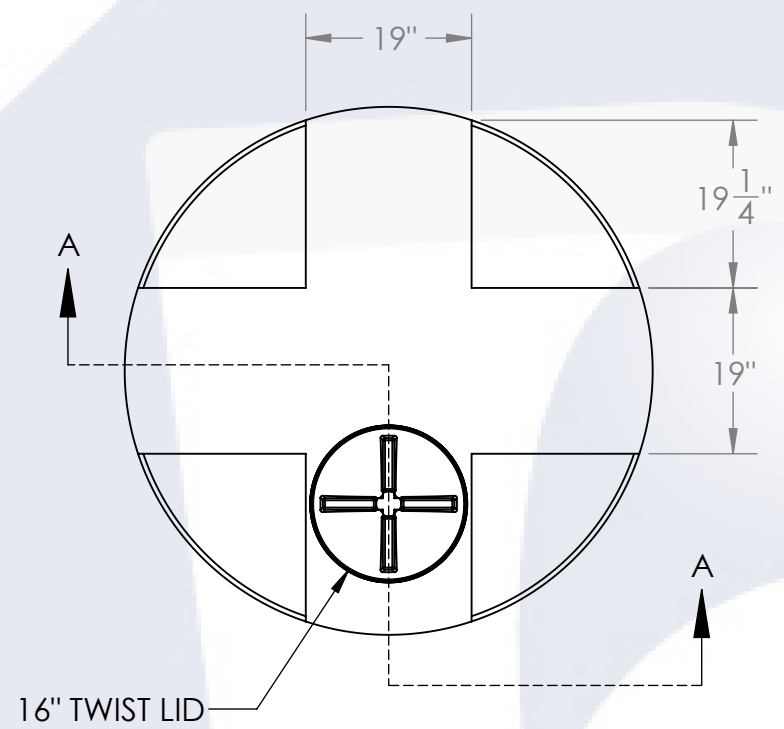


**ISOMETRIC VIEW  
(ASSEMBLED)**



**PLAN VIEW**

9 1/2"  
PUMP PEDESTAL

117 5/16"  
PLATFORM

107 13/16"  
SIDEWALL

(120 5/8")  
OAH  
102 3/4"  
NOMINAL  
CAPACITY

53 1/2"  
PRIMARY OD

60 1/2"  
SECONDARY OD

**SECTION A-A**

1000 GALLON GEMINI TANK, Ø61" x 119"	PART NUMBER	
	BLUE	NATURAL
LPE (1.5)	01-34913	01-34914
LPE (1.9)	01-34915	01-34916

ALTERNATIVE MATERIALS, COLOR, AND ACCESSORIES ARE AVAILABLE. CALL FOR ADDITIONAL INFO

**NOTE:**  
 MAXIMUM PRIMARY CAPACITY: 1085 GALLONS  
 MAXIMUM SECONDARY CAPACITY: 1290 GALLONS

**PROPRIETARY AND CONFIDENTIAL**  
 THE INFORMATION CONTAINED IN THIS DRAWING IS THE SOLE PROPERTY OF PEABODY ENGINEERING. ANY REPRODUCTION IN PART OR AS A WHOLE WITHOUT THE WRITTEN PERMISSION OF PEABODY ENGINEERING IS PROHIBITED.

UNLESS OTHERWISE SPECIFIED:  
 DIMENSIONS ARE IN INCHES  
 TOLERANCES: ±1/4"  
 ANGULAR: ±.5°  
 ONE PLACE DECIMAL: ±.25  
 TWO PLACE DECIMAL: ±.125  
 THREE PLACE DECIMAL: ±.063

TANK MATERIAL: LPE  
 INNER TANK S/N:  
 OUTER TANK S/N:  
 CUSTOMER PO#

DO NOT SCALE DRAWING

	NAME	DATE
DRAWN	SMF	12/15/22
CHECKED		
ENG APPR.		
MFG APPR.		
Q.A.		

PROJECT: GEMINI DUAL CONTAINMENT TANKS		
CUSTOMER: PEABODY STANDARD		
SITE/LOCATION: -		
SALES ORDER:		
SIZE	DESC.	REV.
<b>B</b>	1000 GALLON GEMINI TANK, Ø61" x 119"	-
SCALE: 1:22		SHEET 1 OF 1