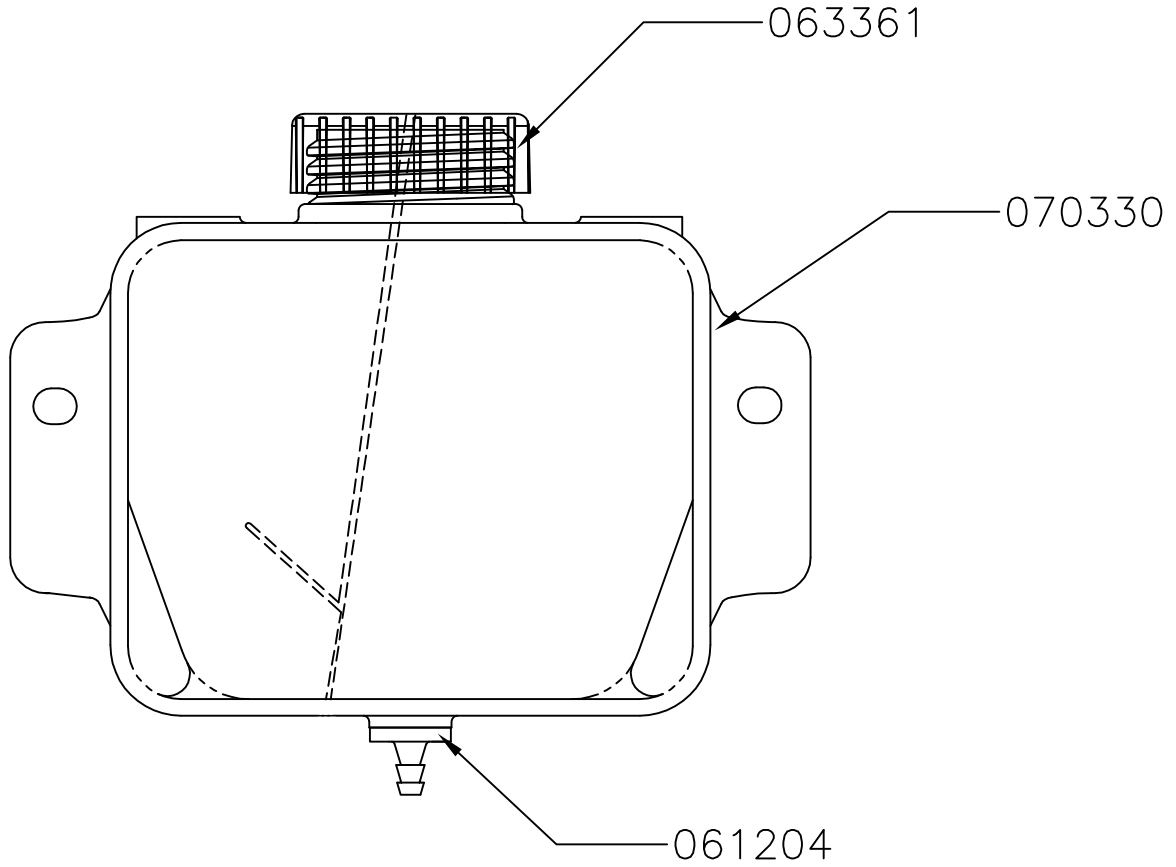


Bill of Material			REVISIONS				
Qty.	FPN	Description	ZONE	REV	DESCRIPTION	DATE	APPROVED
1	070330	1.5 Qt. Base Tank	N/A	A	Create Print	05/08/07	S. Wood
1	061204	.312 Str. Conn.					
1	063361	2.25" Vented Cap					



As a supplier of proprietary products, this Flambeau print serves as the controlled document and supercedes all customer prints.

## C O N F I D E N T I A L

X.X	± 0.060
X.XX	± 0.030
X.XXX	± 0.010
ANGLES	± 1°



**FLAMBEAU, Inc.**  
Fluid Systems Division

DESCRIPTION	1.5 Qt. Express Tank
CUSTOMER	Fluids

DRAWN BY S. Wood	DATE 05/08/07	SIZE A	MOLD NO. 4902	DWG. NO. 070331	REV A
APPROVED BY S. Wood	DATE 05/08/07	SCALE NTS	FPN 070331	CPN N/A	SHEET 1 OF 1