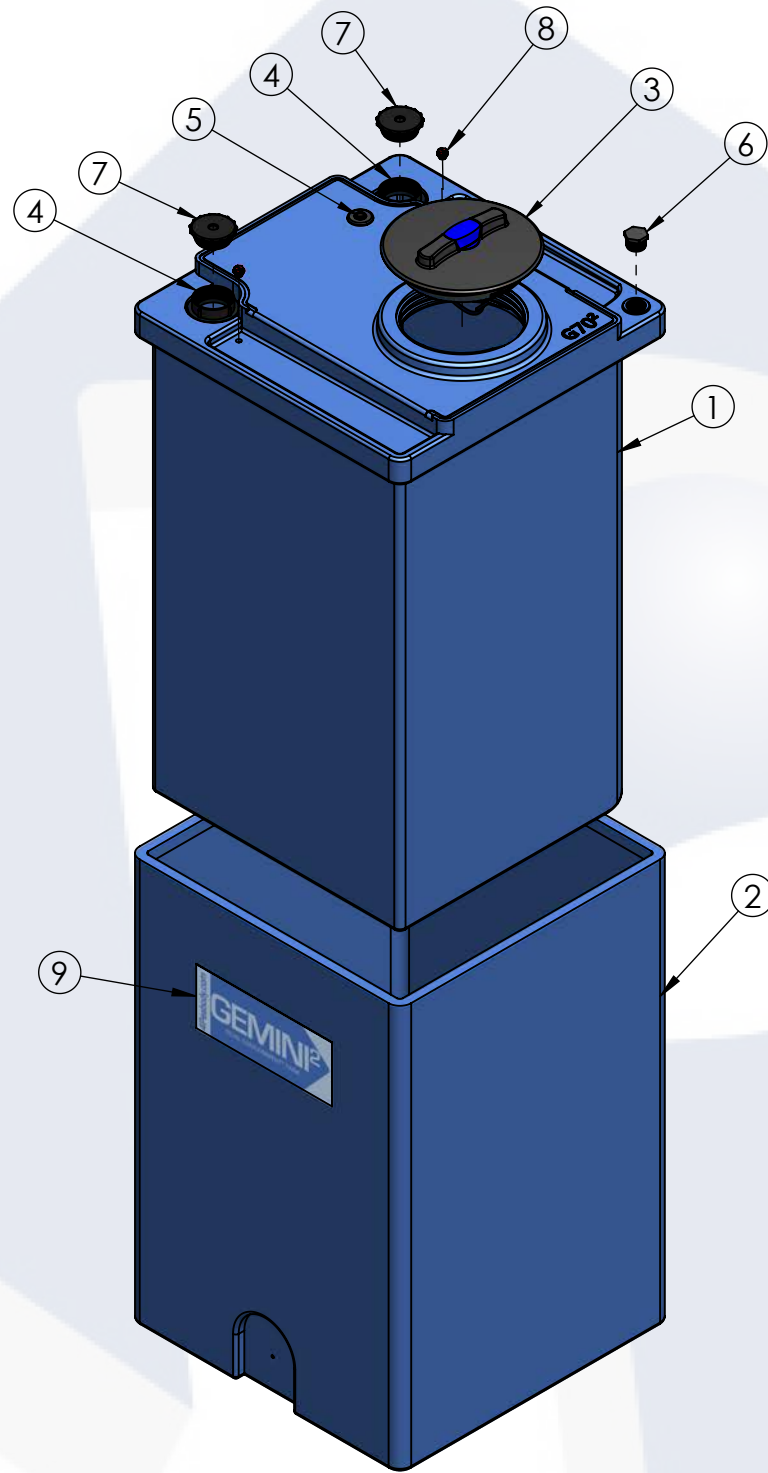




**ISOMETRIC VIEW  
ASSEMBLED**



**ISOMETRIC VIEW  
EXPLODED**

70 GALLON GEMINI <sup>2</sup>	PART NUMBER	
	BLUE	NATURAL
LPE (1.5)	01-29824	01-29828
LPE (1.9)	01-30068	01-30072
XLPE (1.5)	N/A	01-30149
XLPE (1.9)	N/A	01-30154

ALTERNATIVE MATERIALS, COLOR, AND ACCESSORIES ARE AVAILABLE. CALL FOR ADDITIONAL INFO

TOP LEVEL ASSEMBLY		
ITEM NO.	DESCRIPTION	Default/QTY.
1	70G GEMINI <sup>2</sup> , PRIMARY TANK	1
2	84G GEMINI <sup>2</sup> , SECONDARY TANK	1
3	Ø10" OD / 8" ID TWIST LID ASSY	1
4	Ø2" FNPT SPIN WELD FITTING, PE	2
5	Ø1-5/8" CAPLUG / GROMMET ASSY	1
6	Ø1" PLUG, MPT, PE, BLACK	1
7	Ø2" MPT PLUG, PE, BLACK	2
8	RED CAPLUG / O-RING SUB-ASSY	2
9	GEMINI <sup>2</sup> MOLD IN LOGO	1

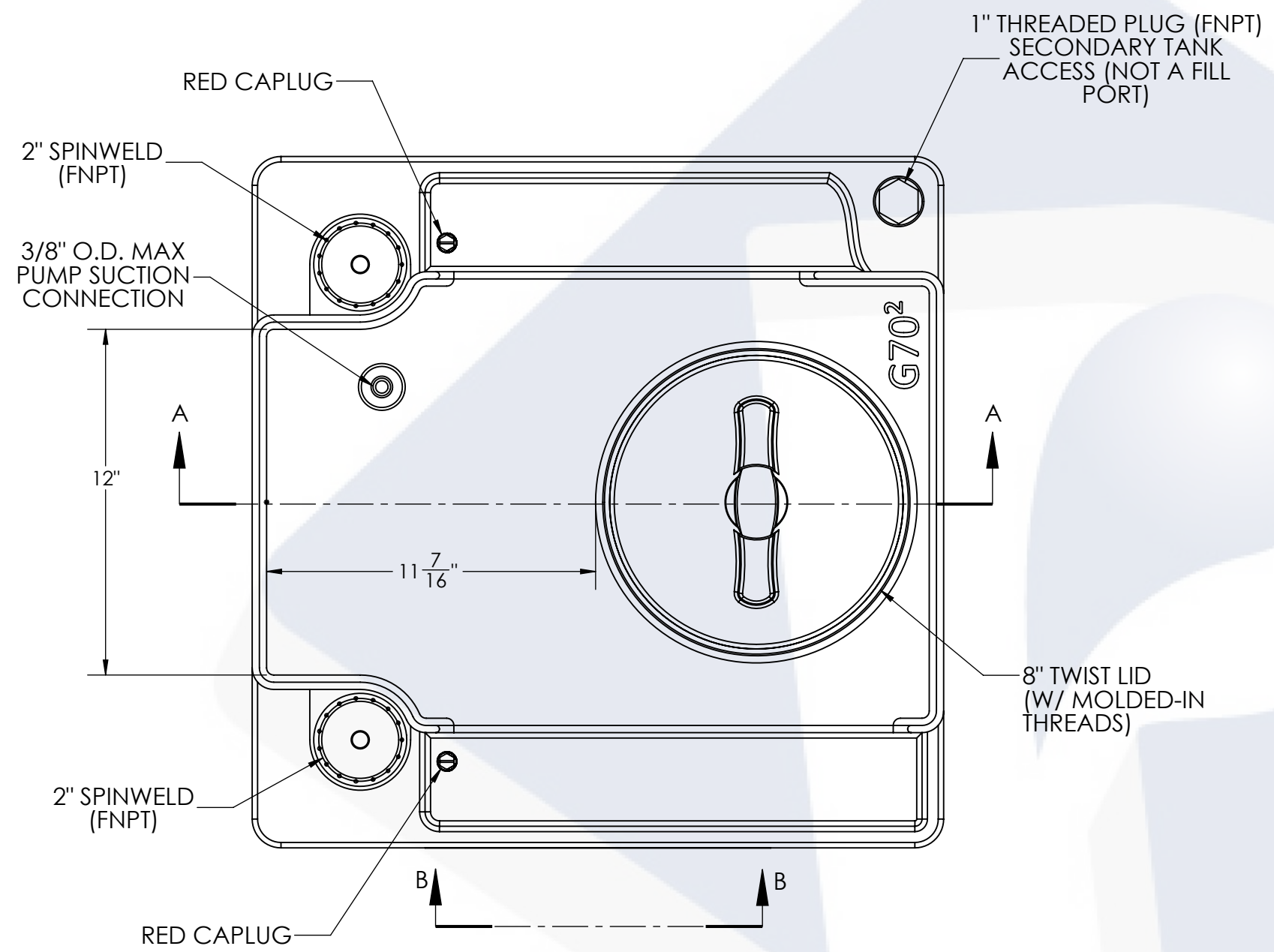
- NOTES:**
- CAPACITY: 70 GAL. NOMINAL
  - TANK MATERIAL: LLDPE W/ UV INHIBITOR
  - GASKETS: EPDM
  - SERVICE PRESSURE: ATMOSPHERIC

**PROPRIETARY AND CONFIDENTIAL**  
THE INFORMATION CONTAINED IN THIS DRAWING IS THE SOLE PROPERTY OF PEABODY ENGINEERING. ANY REPRODUCTION IN PART OR AS A WHOLE WITHOUT THE WRITTEN PERMISSION OF PEABODY ENGINEERING IS PROHIBITED.

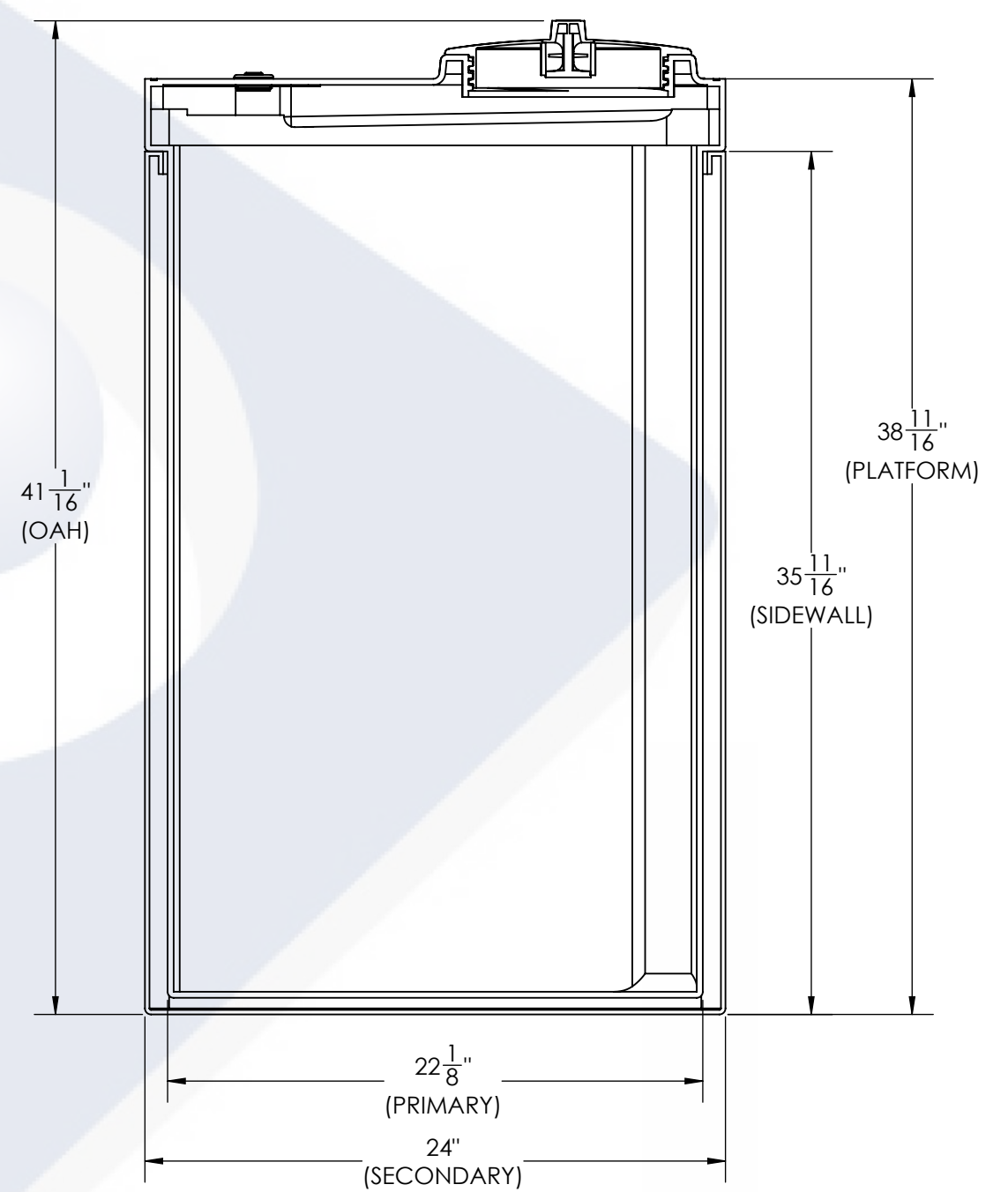
UNLESS OTHERWISE SPECIFIED:		NAME	DATE		
DIMENSIONS ARE IN INCHES TOLERANCES: ±1/4" ANGULAR: ± .5° ONE PLACE DECIMAL: ± .25 TWO PLACE DECIMAL: ± .125 THREE PLACE DECIMAL: ± .063		DRAWN	NRG 02/11/20		PROJECT: GEMINI <sup>2</sup> DUAL CONTAINMENT TANKS
TANK MATERIAL: LPE	INNER TANK S/N:	CHECKED			CUSTOMER: PEABODY STANDARD
OUTER TANK S/N:	CUSTOMER PO#	ENG APPR.			SITE/LOCATION: -
DO NOT SCALE DRAWING		MFG APPR.		DRAWING#: SEE TABLE	
		Q.A.		SIZE B	
		<b>ALTERNATIVE VERSIONS</b>		DESC. 70 GALLON GEMINI <sup>2</sup> TANK, 24" x 24" x 41"	
		<b>MATERIALS: XLPE, PPL, PVDF COLORS: NATURAL, BLUE OR BLACK AVAILABLE WITH FRP WRAP</b>		REV. I	
		<b>CALL FOR PART NUMBERS</b>		SCALE: 1:12	
				SHEET 1 OF 2	

8 7 6 5 4 3 2 1

D C B A

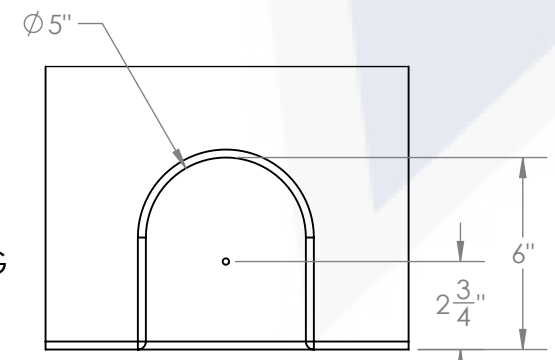


**PLAN VIEW**



**SECTION A-A  
SCALE 1 : 7**

NOTE: ALLOWS  
HAYWARD FITTING  
BFA IS 1" BHF  
OR  
NORWESCO FITTING  
IS 1" BHF



**SECTION B-B  
SCALE 1 : 6**



PROJECT: 70G Gemini<sup>2</sup>, CUSTOMER Print

SCALE: 1:5

SHEET 2 OF 2

8 7 6 5 4 3 2 1