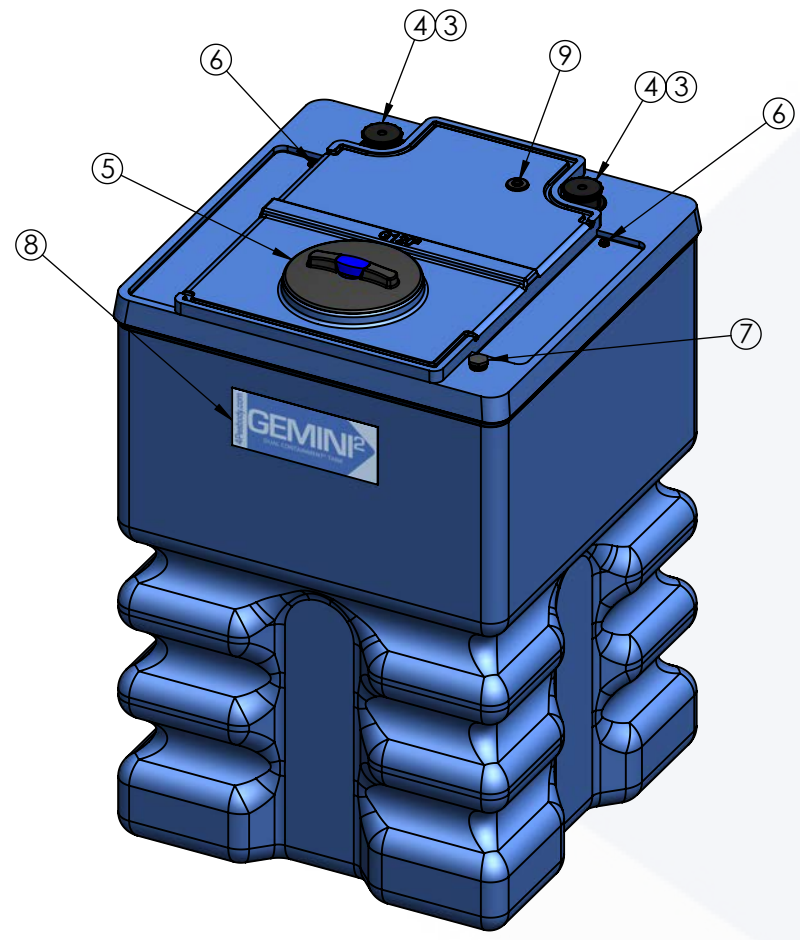
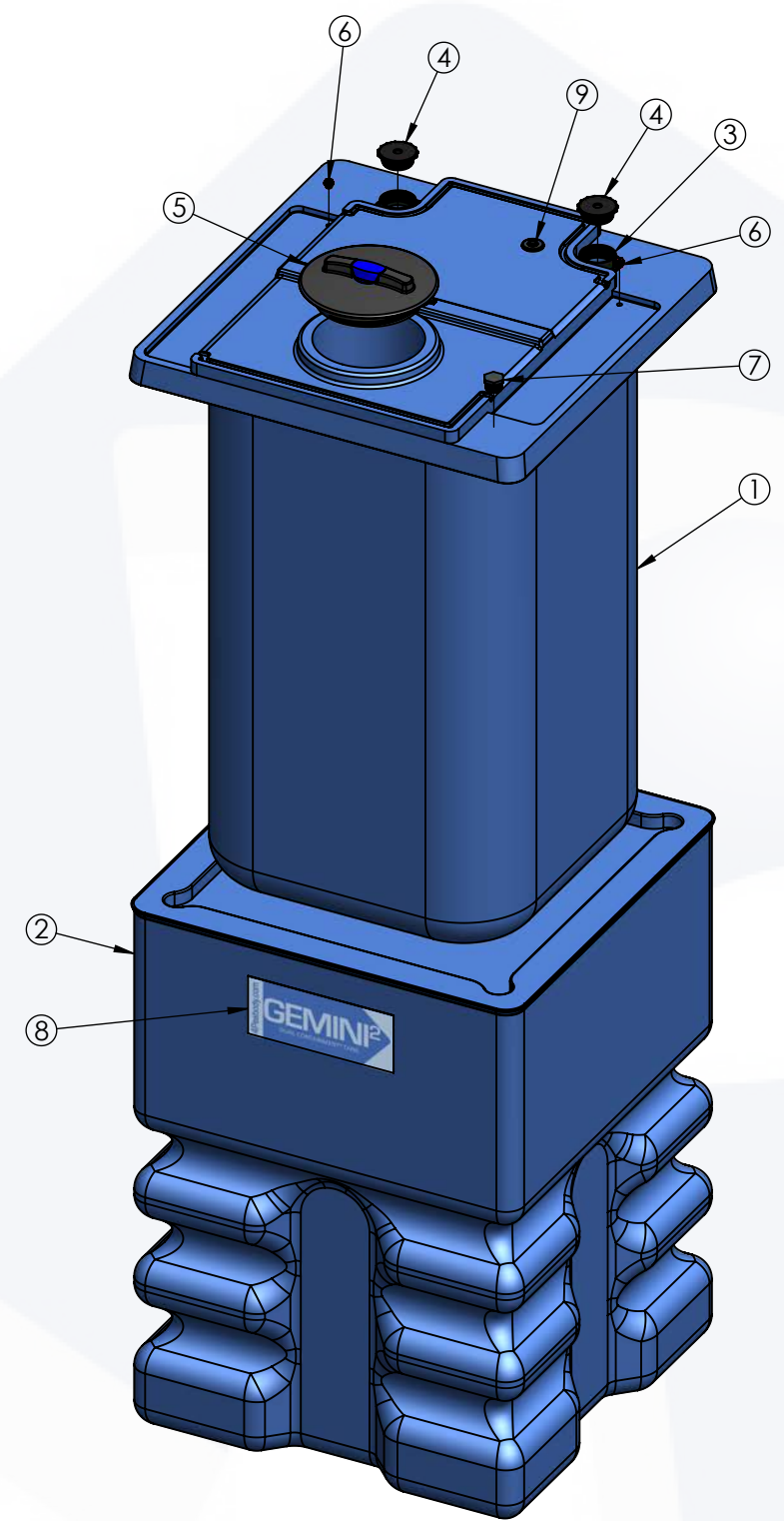


8 7 6 5 4 3 2 1

D
C
B
A



**ISOMETRIC VIEW
(ASSEMBLED)**



**ISOMETRIC VIEW
(EXPLODED)**

- NOTES:**
1. CAPACITY: 120 GAL. NOMINAL
 2. TANK MATERIAL: LPE
 3. SERVICE PRESSURE: ATMOSPHERIC

PROPRIETARY AND CONFIDENTIAL
THE INFORMATION CONTAINED IN THIS DRAWING IS THE SOLE PROPERTY OF PEABODY ENGINEERING. ANY REPRODUCTION IN PART OR AS A WHOLE WITHOUT THE WRITTEN PERMISSION OF PEABODY ENGINEERING IS PROHIBITED.

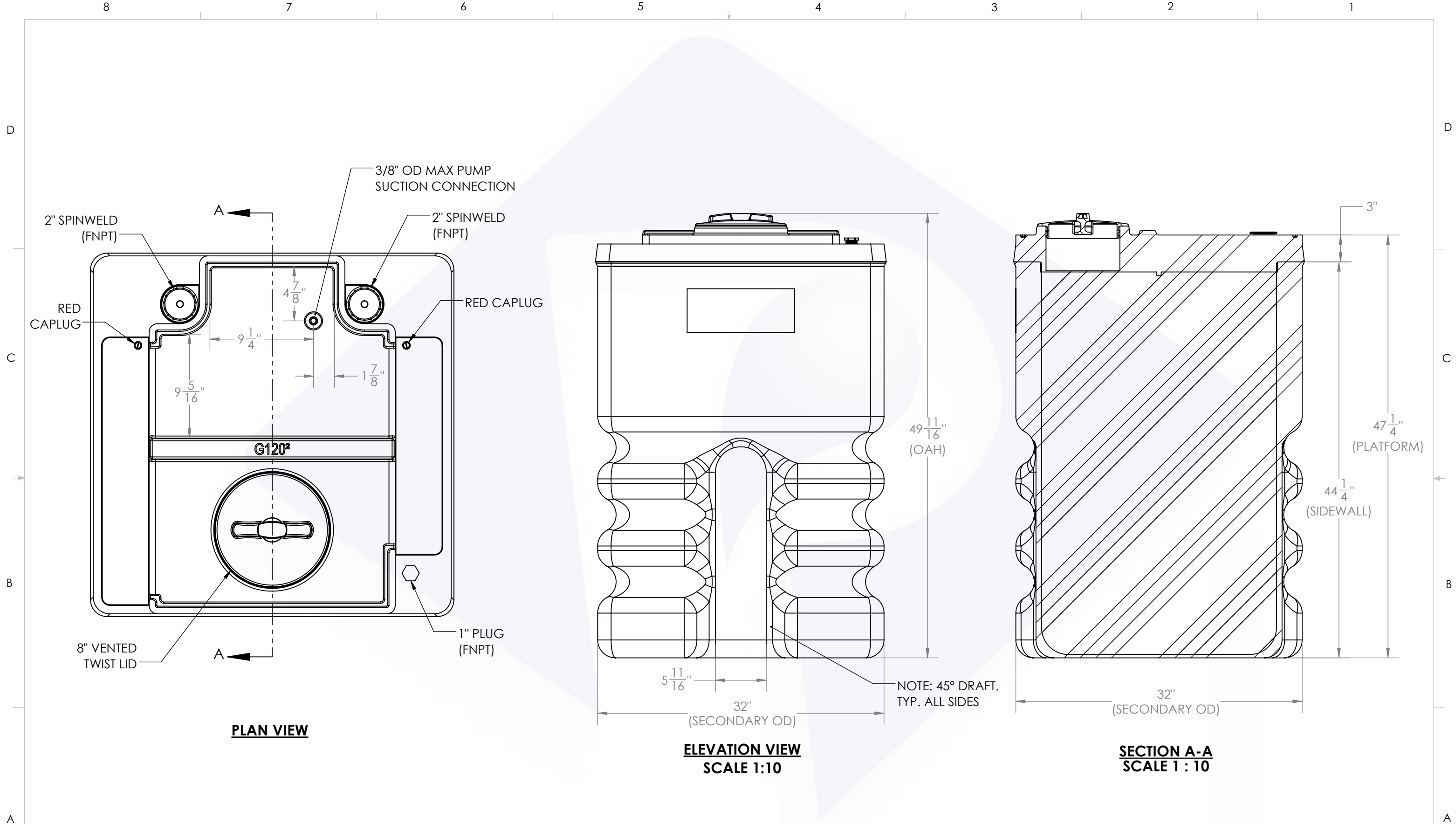
120 GALLON GEMINI ²	PART NUMBER	
	BLUE	NATURAL
LPE (1.5)	01-32973	01-32974
LPE (1.9)	01-32975	01-32976
XLPE (1.5)	N/A	01-32978
XLPE (1.9)	N/A	01-32980

ALTERNATIVE MATERIALS, COLOR, AND ACCESSORIES ARE AVAILABLE. CALL FOR ADDITIONAL INFO

ALTERNATE CONFIGURATION TO MEET NSF / ANSI STANDARD 61 AVAILABLE

TOP LEVEL ASSEMBLY		
ITEM NO.	DESCRIPTION	Default/QTY.
1	120G GEMINI ² , PRIMARY TANK	1
2	167G GEMINI ² , SECONDARY TANK	1
3	Ø2" FNPT SPIN WELD FITTING, PE	2
4	Ø2" MPT PLUG, PE, BLACK	2
5	Ø8" VENTED TWIST LID ASSEMBLY	1
6	RED CAPLUG / O-RING SUB-ASSY	2
7	Ø1" PLUG, MPT, PE, BLACK	1
8	GEMINI ² MOLD IN LOGO	1
9	Ø1-5/8" CAPLUG / GROMMET ASSY	1

UNLESS OTHERWISE SPECIFIED:		NAME	DATE	
DIMENSIONS ARE IN INCHES TOLERANCES: ±1/4" ANGULAR: ±.5° ONE PLACE DECIMAL: ±.25 TWO PLACE DECIMAL: ±.125 THREE PLACE DECIMAL: ±.063		DRAWN	RFR 10/20/17	
TANK MATERIAL:	LPE	CHECKED		PROJECT: GEMINI DUAL CONTAINMENT® TANKS
INNER TANK S/N:		ENG APPR.		CUSTOMER: PEABODY STANDARD
OUTER TANK S/N:		MFG APPR.		SITE/LOCATION: FOB: CORONA, CA
CUSTOMER PO#		Q.A.		SALES ORDER: -
DO NOT SCALE DRAWING		ALTERNATIVE VERSIONS MATERIALS: XLPE, PPL, PVDF COLORS: NATURAL, BLUE OR BLACK AVAILABLE WITH FRP WRAP CALL FOR PART NUMBERS		SIZE: B DESC: 120 GALLON GEMINI ² TANK, 32" x 32" x 50" REV: H
		SCALE: 1:14		SHEET 1 OF 2



PROJECT:
120g Gemini² (New), CUSTOMER Print

SCALE: 1:8

SHEET 2 OF 2