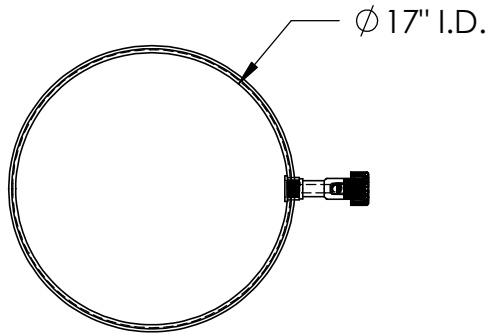
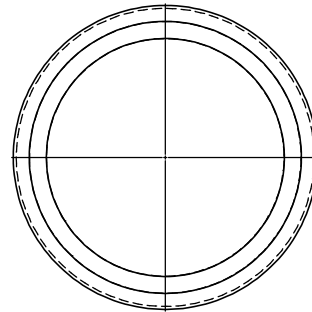


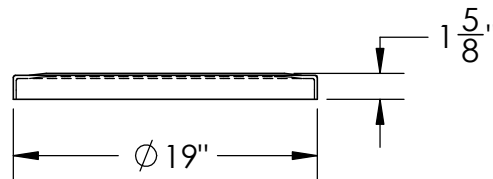
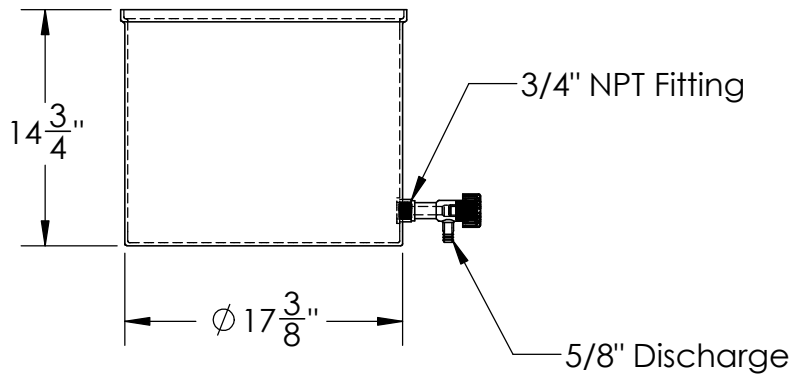
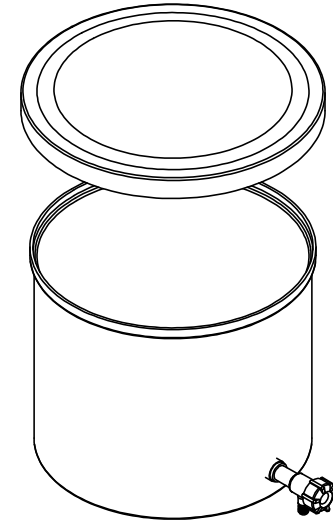
For further detail see tank drawing #10070



TANK



LID



Molded Polyethylene
Shallow Tank with Spigot
#10073



1390 Neubrecht Road
Lima, Ohio 45801

STOCK NO.	10073	REV	A
DO NOT SCALE DRAWING		WEIGHT: 11 lbs.	

DIMENSIONS ARE IN INCHES TOLERANCE: ± 1/4"		NAME	DATE
MATERIAL	LLDPE - FDA resin	DRAWN	CDH 07/08/16
CAPACITY	14 US gal.	APPROVED	BAT 07/14/16
GRADUATIONS	NO	COMMENTS:	
NOMINAL WALL THICKNESS	3/16"	Translucent UV Stabilized	

PROPRIETARY AND CONFIDENTIAL	MAX. OPERATING TEMP. 140°F INTERMITTENT SERVICE TO 160°F SEE CHEMICAL RESISTANCE CHART FOR COMPATABILITY
THE INFORMATION CONTAINED IN THIS DRAWING IS THE SOLE PROPERTY OF TAMCO. ANY REPRODUCTION IN PART OR AS A WHOLE WITHOUT THE WRITTEN PERMISSION OF TAMCO IS PROHIBITED.	