

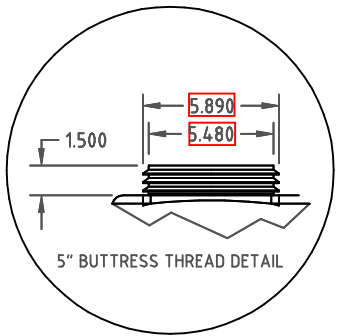
PROPRIETARY DATA

PROPERTY OF DEN HARTOG IND., INC. INFORMATION FURNISHED HEREIN IS THE PROPERTY OF DEN HARTOG IND., INC. AND SHALL NOT BE USED, DISCLOSED TO OTHERS, OR COPIED WITHOUT THE EXPRESSED WRITTEN CONSENT OF ACE ROTO-MOLD MFG., INC. ALL RIGHTS RESERVED.

EXCEPT AS NOTED TOLERANCES ARE +/- 2% OF DIMENSION NOTED

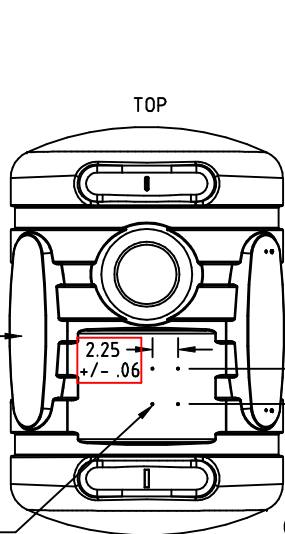
SHIPPING WEIGHT = 21.0 LB.

SB00060



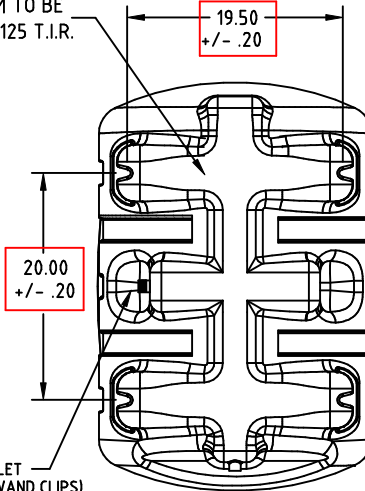
LOGO APPLICATION AREA EACH SIDE

4 X 19001 10-24 THREADED BRASS INSERTS FOR PUMP

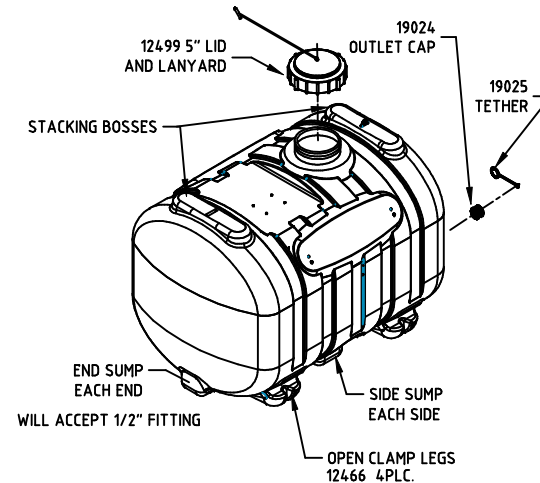


TANK BOTTOM TO BE FLAT WITHIN .125 T.I.R.

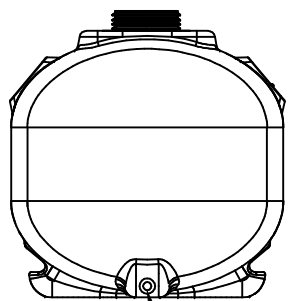
BOTTOM



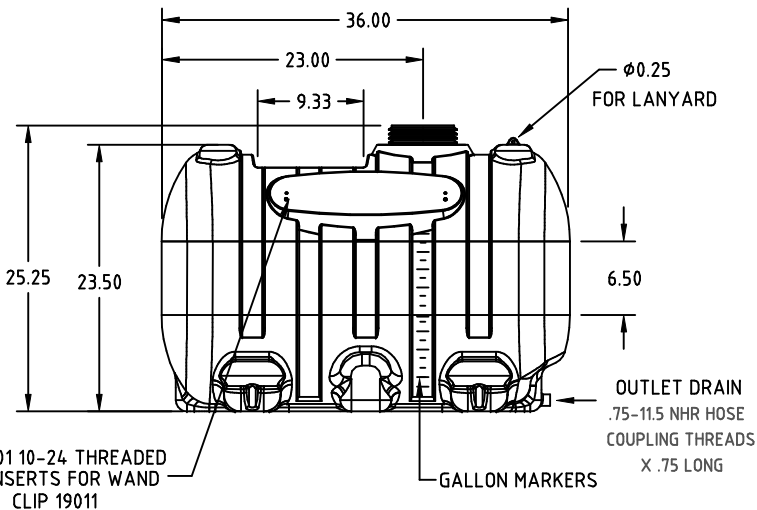
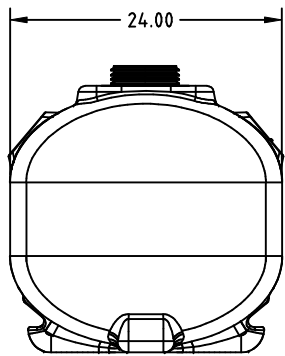
12464 OUTLET (OPPOSITE SIDE OF WAND CLIPS)



NOTE: CONTACT DHI REGARDING PRICING FOR LOOSE COMPONENTS SHOWN ABOVE.

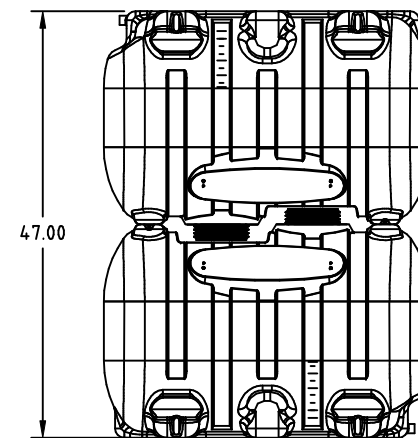


.500 / .530 BORE THRU THREADED OUTLET



2 X 19001 10-24 THREADED BRSS INSERTS FOR WAND CLIP 19011

STACKED FOR SHIPPING
24" W X 36" L X 47" H



DRAWN / DATE
REH / 3/22/07

APPRD. / DATE
DHJ 10/1/07

MATERIAL
EQUISTAR 5704
SHOT WEIGHT = 19.0 LB.

ACE ROTO-MOLD

A DIVISION OF DEN HARTOG INDUSTRIES, INC.
4010 HOSPERS DRIVE SOUTH, BOX 421, HOSPERS, IOWA 51238

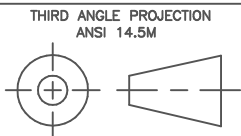
CLIENT / DESCRIPTION

60 GALLON B/M APPLICATOR TANK

SCALE
N.S.

PART NO. TANK ONLY - WHITE SB00060SW
TANK ONLY - YELLOW SB00060SY

ALL DIMENSIONS ARE IN DECIMAL INCHES
TOLERANCES UNLESS OTHERWISE SPECIFIED
± .5% @ 68° F



NOTES:
1. WHITE OR YELLOW COLOR
2. MIN. WALL = .095