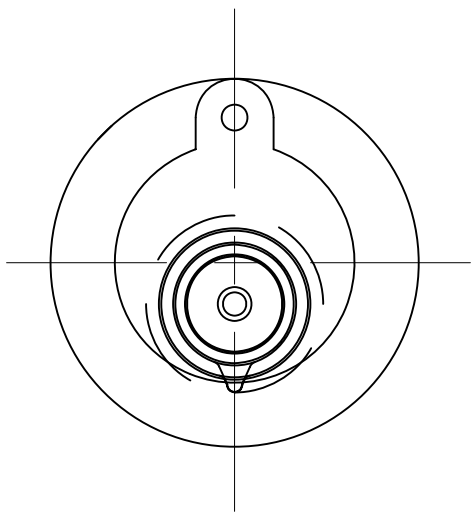
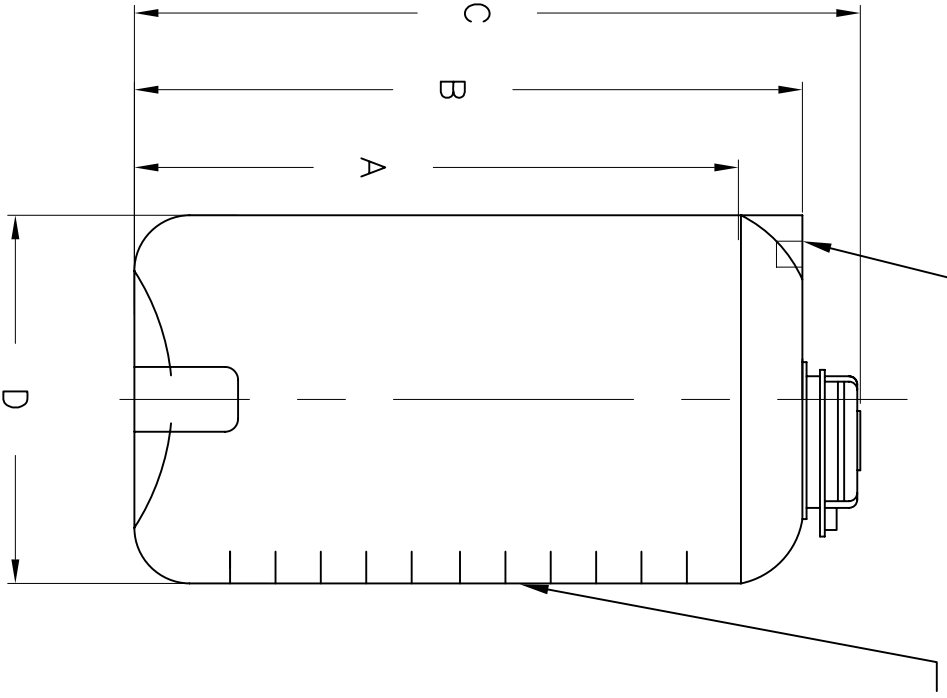


TANK DIMENSIONS			
	30 Gallon	55 Gallon	100 Gallon
A	32 3/8	36 5/8	43 1/8
B	35 3/8	40 3/8	47 1/8
C	38 1/4	43 1/4	50
D	18 3/8	22 1/4	28 3/8
WALL	3/16	1/4	1/4


BUNG CLOSURE WITH GASKET
(not available on 11_50-0020)

Tank is Graduated
in Liters and Gallons



Note:
Opening to Tank is
6.0" Dia

BUNG AND CLOSURE
ONLY AVAILBE IN
WHITE
BLACK TANK AVAILABLE
UPON REQUEST

 SAINT-GOBAIN PERFORMANCE PLASTICS 460 MILLTOWN ROAD BRIDGEWATER, NJ 08807 TEL: (908) 218-8888 FAX (908) 218-5649		THIS DRAWING IS THE PROPERTY OF SAINT-GOBAIN PERFORMANCE PLASTICS AND IS LOANED UPON CONDITION THAT IT IS NOT TO BE REPRODUCED OR COPIED IN WHOLE OR IN PART OR USED FOR ANY PURPOSE WITHOUT THE PRIOR WRITTEN CONSENT OF THE CORPORATION'S INTEREST AND SHALL BE RETURNED UPON REQUEST.	
DESCRIPTION CLOSED-DOME TANK			
MATERIAL SEE CATALOG	TOLERANCES (except as noted)		DRAWN FV3
SCALE NTS	DECIMAL	.x=±	REVISION
DATE	.xx=±	.xxx=±	BY
	ANGULAR	±	REV. DATE
DRAWING NUMBER 11_50 Series			