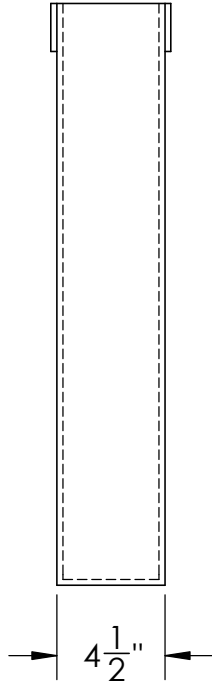
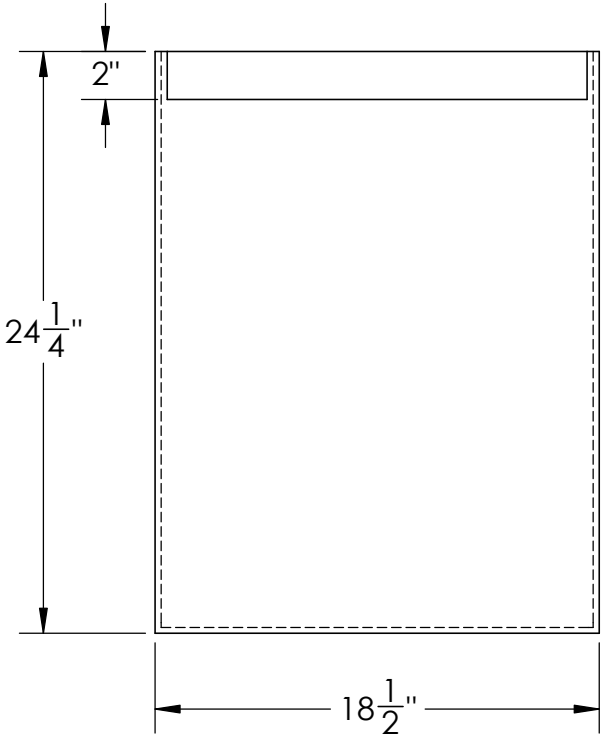
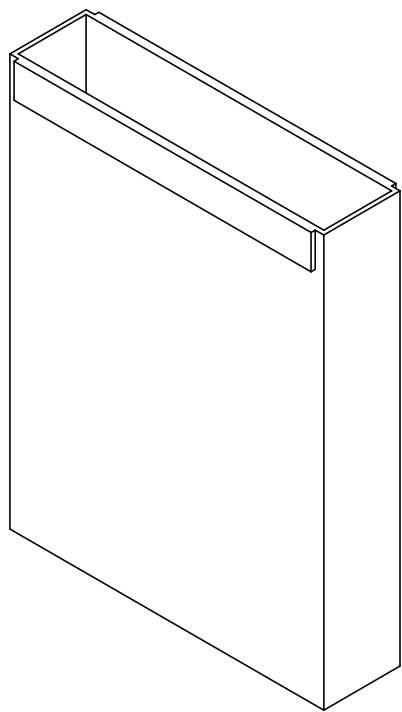


Catalog Options:  
Cover #11034



Polyethylene Tank  
#11202



**PROPRIETARY AND CONFIDENTIAL**  
THE INFORMATION CONTAINED IN THIS DRAWING IS THE SOLE PROPERTY OF TAMCO. ANY REPRODUCTION IN PART OR AS A WHOLE WITHOUT THE WRITTEN PERMISSION OF TAMCO IS PROHIBITED.

MAX. OPERATING TEMP. 200°F  
SEE CHEMICAL RESISTANCE CHART FOR COMPATABILITY

DIMENSIONS ARE IN INCHES TOLERANCE: ± 1/4"		NAME	DATE
MATERIAL	Welded PE	DRAWN	JMP 6/24/19
CAPACITY	7-1/2 US gal.	APPROVED	
GRADUATIONS	NO	COMMENTS:  Welded Construction	
NOMINAL WALL THICKNESS	1/4"		

STOCK NO.	11202	REV	A
DO NOT SCALE DRAWING		WEIGHT: 11.5 lbs.	