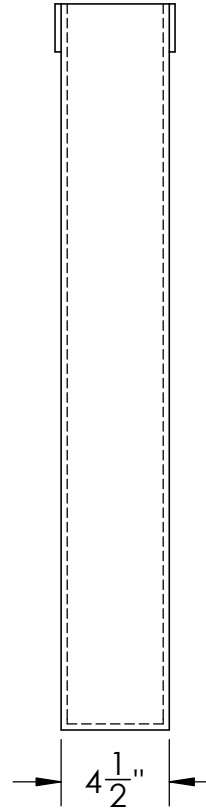
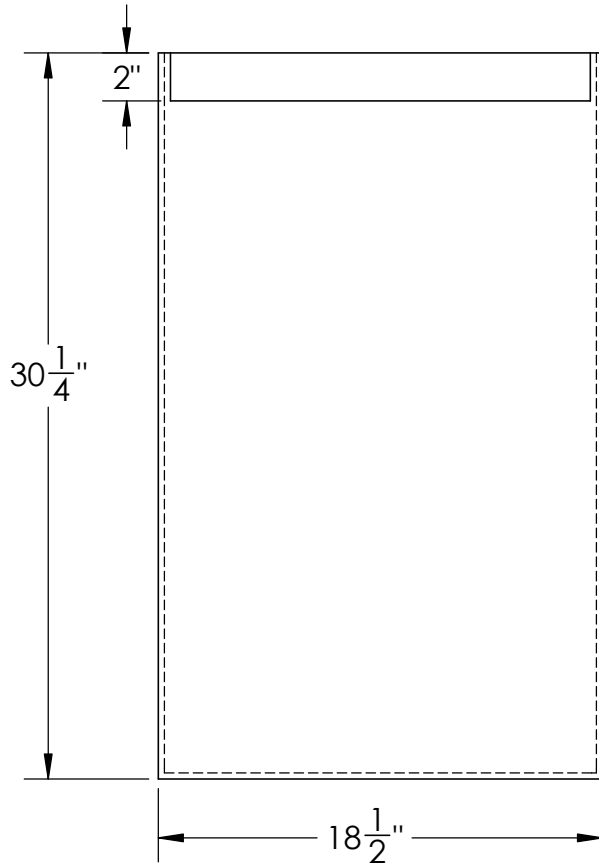
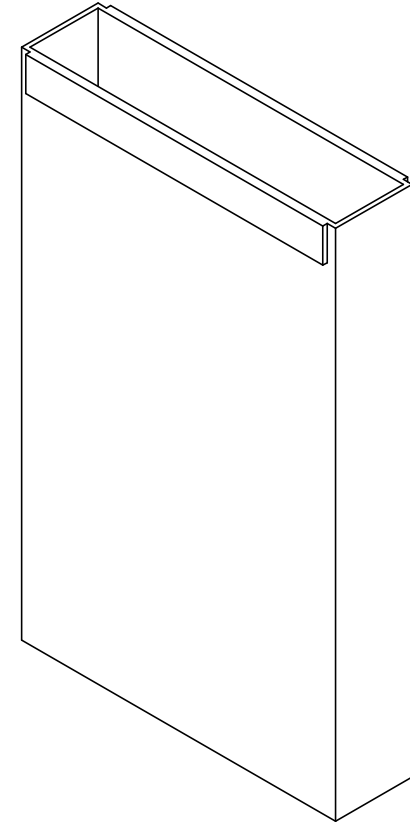


Catalog Options:
Cover #11034



Polyethylene Tank
#11204



1390 Neubrecht Road
Lima, Ohio 45801

STOCK NO. **11204** REV **A**

DO NOT SCALE DRAWING

WEIGHT: 14 lbs.

DIMENSIONS ARE IN INCHES TOLERANCE: ± 1/4"		NAME	DATE
MATERIAL	Welded PE	DRAWN	JMP 6/24/19
CAPACITY	9.3 US gal.	APPROVED	
GRADUATIONS	NO	COMMENTS: Welded Construction	
NOMINAL WALL THICKNESS	1/4"		

PROPRIETARY AND CONFIDENTIAL
THE INFORMATION CONTAINED IN THIS DRAWING IS THE SOLE PROPERTY OF TAMCO. ANY REPRODUCTION IN PART OR AS A WHOLE WITHOUT THE WRITTEN PERMISSION OF TAMCO IS PROHIBITED.

MAX. OPERATING TEMP. 200°F
SEE CHEMICAL RESISTANCE CHART FOR COMPATABILITY