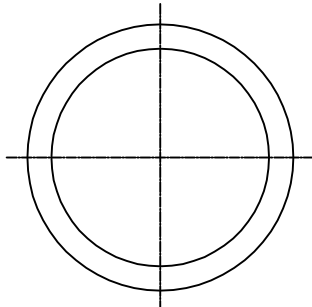
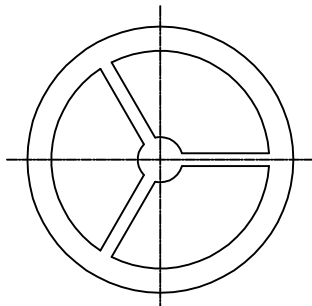


BOTT. STYLE	CAP CALIBRATION		LITERS	A DIA	B	C DIA	WALL THK	D	E DIA	SIZE CODE
	GAL	GAL								
I	5	0.5	2.0	12.375	15.125	11.000	0.093	1.000	12.813	-0005
I	10	1.0	-	14.750	20.375	13.375	0.093	1.250	15.125	-0010
I	15	1.0	5.0	15.000	27.625	13.625	0.093	1.250	15.375	-0015
I	30	2.5	10.0	20.000	29.875	18.375	0.093	1.250	20.375	-0030
II	55	2.5	10.0	23.625	36.125	22.000	0.125	1.250	24.250	-0055
II	100	5.0	25.0	30.000	44.250	28.375	0.125	2.000	30.750	-0100
II	150	10.0	25.0	33.188	49.313	31.625	0.125	2.000	34.000	-0150
III	200	25.0	100.0	38.313	51.000	36.688	0.125	2.000	39.000	-0200
III	275	25.0	100.0	44.125	49.625	42.563	0.125	2.000	44.750	-0275
III	360	25.0	100.0	50.000	48.750	48.437	0.250	2.000	50.750	-0360
III	500	25.0	100.0	54.125	61.875	52.750	0.312	2.000	55.375	-0500
III	1000	25.0	100.0	68.937	77.000	67.000	0.437	2.000	70.000	-1000

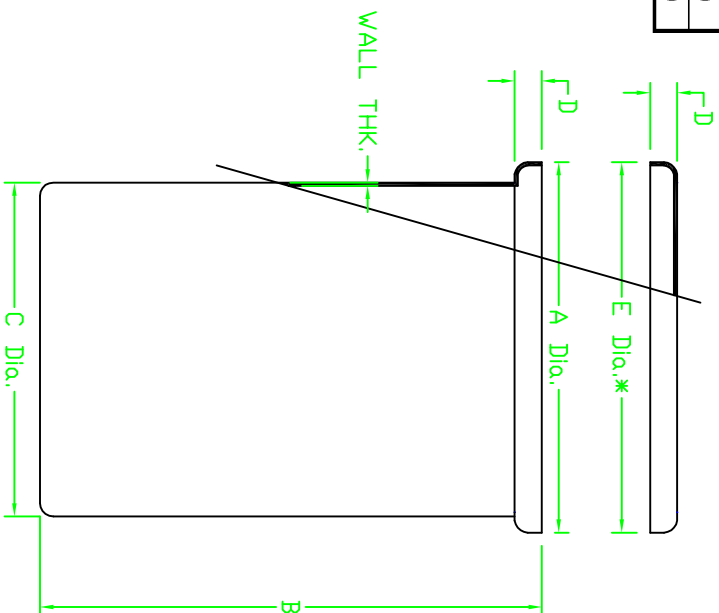
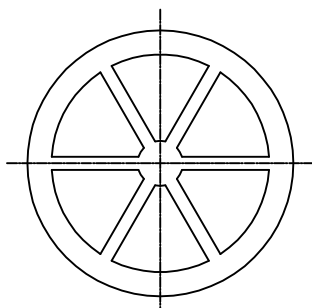
VIEW X-X  
STYLE I




VIEW X-X  
STYLE II



VIEW X-X  
STYLE III




**SAINT-GOBAIN PERFORMANCE PLASTICS**  
 SAINT-GOBAIN PERFORMANCE PLASTICS  
 1-295 & Harmony Rd. Box 248, Middletown, NJ 08056  
 TEL: (956) 426-6330 FAX (956) 423-8182  
 THIS DRAWING IS THE PROPERTY OF SAINT-GOBAIN PERFORMANCE PLASTICS AND IS LOANED UPON CONDITION THAT IT IS NOT TO BE REPRODUCED OR COPIED IN ANY MANNER OR USED FOR FURNISHING INFORMATION TO ANY PERSON OR COMPANY WITHOUT THE PRIOR WRITTEN CONSENT OF THE CORPORATION OR FOR ANY PURPOSE DETRIMENTAL TO THE CORPORATION'S INTEREST AND SHALL BE RETURNED UPON REQUEST.

**DESCRIPTION**  
 Cylindrical Tanks with Covers, Cross-Linked Polyethylene

<b>MATERIAL</b>	XLPE	<b>TOLERANCES (except as noted)</b>	<b>DRAWN</b>	F. Haque
<b>SCALE</b>	Full	<b>DECIMAL</b>	±	<b>CHECKED</b>
<b>DATE</b>	07-02-01	<b>FRACTIONAL</b>	±	<b>REVISION</b>
<b>DRAWING NUMBER</b>	11300 Series	<b>ANGULAR</b>	±	<b>REV. DATE</b>

\* All Dimension Nominal Inches