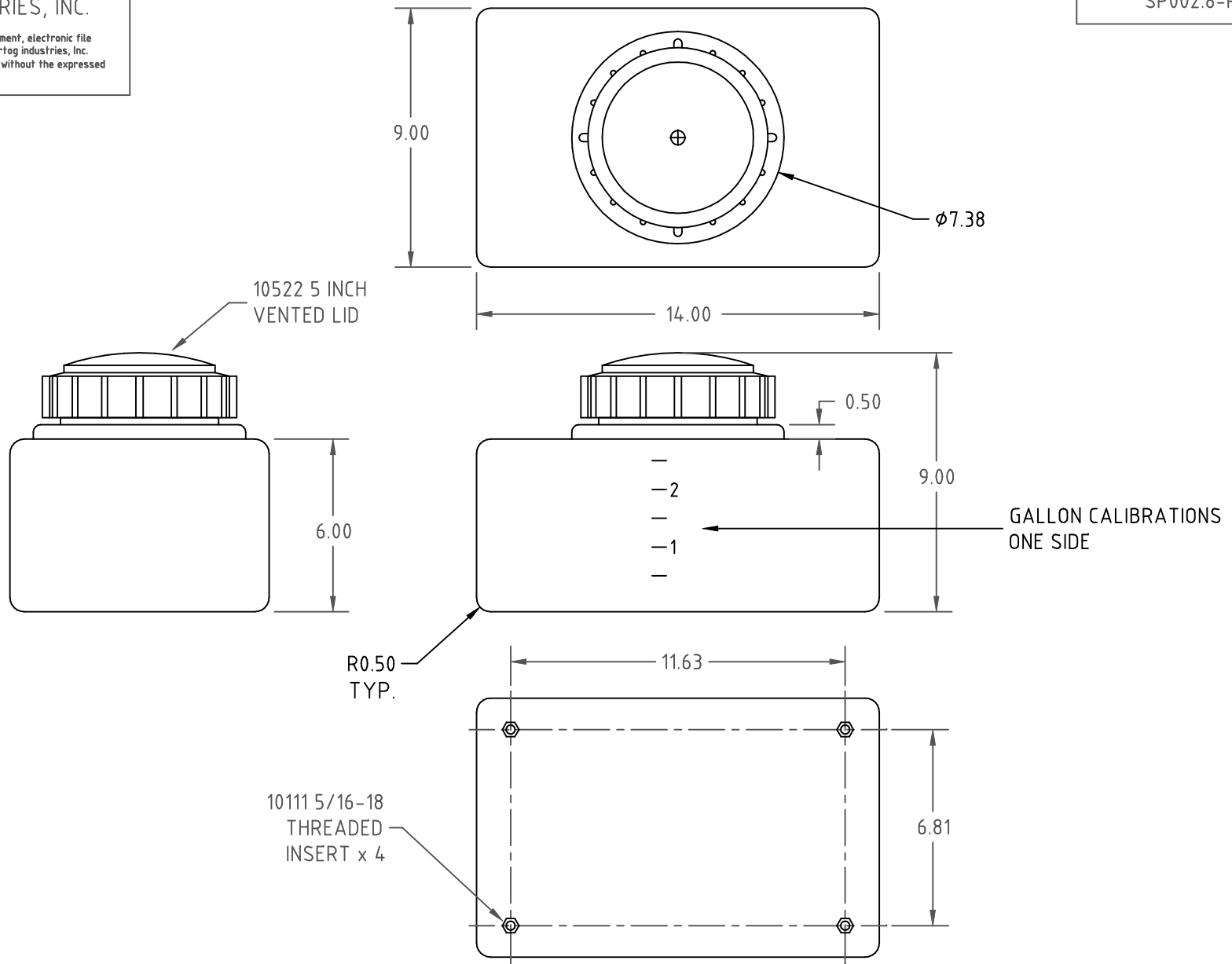



Copyright. All information furnished within this document, electronic file or design correspondence is the property of Den Hartog industries, Inc. and shall not be used, disclosed to others or copied without the expressed written consent of Den Hartog Industries, Inc.



		DRAWN / DATE DHJ 2/21/12		MATERIAL 10418		 <p><b>Den Hartog</b> INDUSTRIES, INC. Ace Roto-Mold Injection Molding Blow Molding Sowjoy 4010 HOSPERS DRIVE S. BOX 425, HOSPERS, IOWA 51238-0425</p>
		APPRD. / DATE REH 4/26/12				
REV	DESCRIPTION	BY / DATE	CCN	SHOT WEIGHT: 3 LBS.		DESCRIPTION 2.8 GALLON RECTANGLE TANK  SCALE N.S. PART NO. SP002.8-RT
ALL DIMENSIONS ARE IN DECIMAL INCHES TOLERANCES UNLESS OTHERWISE SPECIFIED				NOTES: 1. .20 WALL		
POLYETHYLENE ±1% @ 68° F		METAL DECIMAL ± .125" FRACTION ± 1/4" ANGLE ± 1°		SHIPPING WEIGHT: 4 LBS. FINISH:		
		THIRD ANGLE PROJECTION ANSI 14.5M 