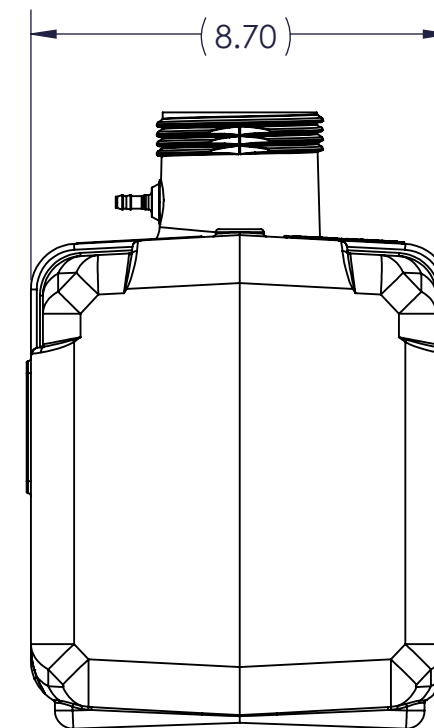
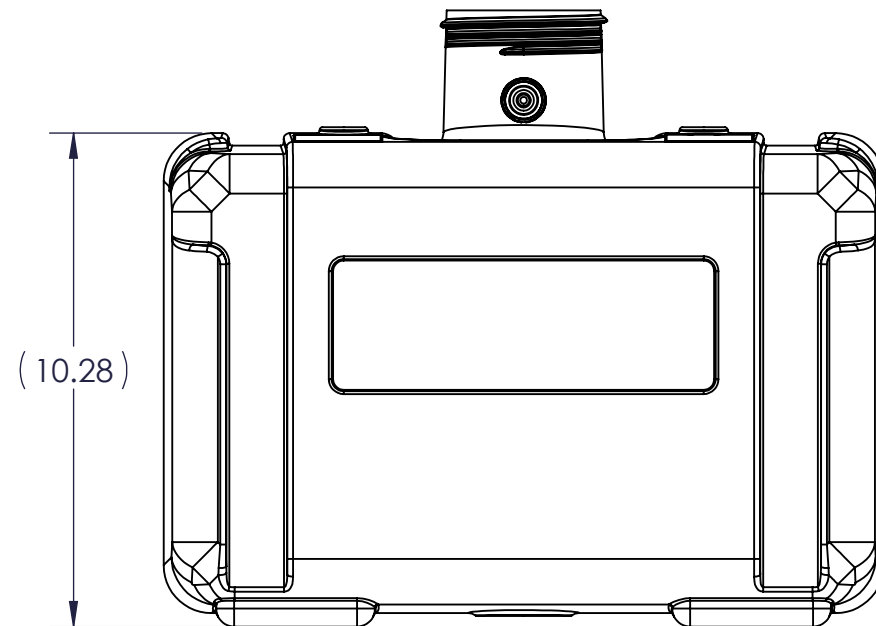
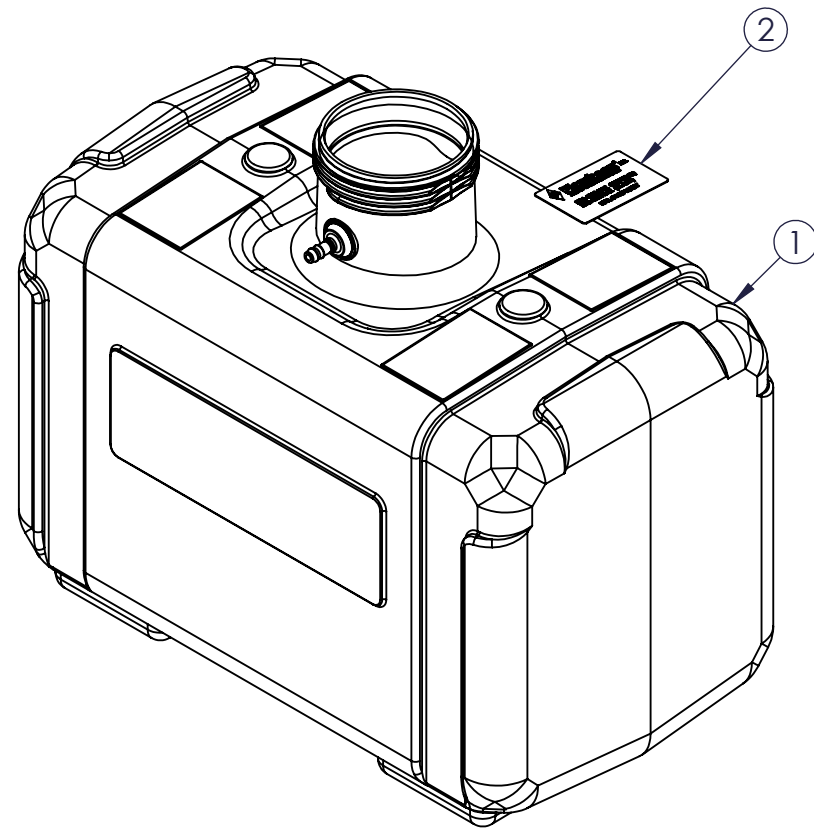
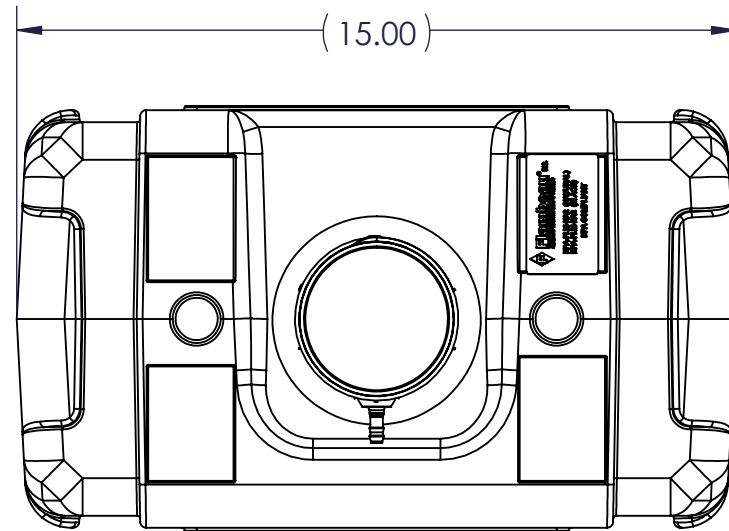


REVISIONS

REV	ECR	DESCRIPTION	DATE	BY	APR
A	NPN	RELEASED FOR PRODUCTION	10-22-14	ANA	SAB
B	---	Mold 6862 was 4333; Item 2 Label 477026D was 477026X	01-27-25	CRW	SB
C	NPN	Item 2 Label 462482 was 477026D	03-17-26	CRW	SB



ITEM	FPN	DWG #	DESCRIPTION	QTY
2	462482	462482	EPA Fuel Tank Label	1
1	070361B-FL	070361B-FL	5 Gallon CARB Tank 3.5 Neck 0.25 Fitting PE Natural Fluorinated	1

<p>PROPRIETARY AND CONFIDENTIAL THE INFORMATION CONTAINED IN THIS DRAWING IS THE SOLE PROPERTY OF FLAMBEAU, INC. ANY REPRODUCTION IN PART OR AS A WHOLE WITHOUT THE WRITTEN PERMISSION OF FLAMBEAU, INC. IS PROHIBITED.</p> <p>DIMENSIONS ARE IN INCHES. THE FOLLOWING TOLERANCES APPLY UNLESS OTHERWISE SPECIFIED ANGULAR: ±3° TWO PLACE x.xx ±.125" THREE PLACE x.xxx ±.060" DIMENSIONS IN PARENTHESIS () ARE FOR REFERENCE ONLY.</p>	SHT	FLAMBEAU, INC.		
	1	SCALE: 1:4	BFI NO: NA	DRAWN BY: ANA DATE: 10-22-14
	OF	MOLD NO: 6862 5 Gal	MAT'L: NA	FPN: 071405AE
	1	DESCRIPTION: 5 GALLON CARB/EPA FUEL TANK ASSEMBLY		
		CUSTOMER: US PLASTICS	DWG NO: 071405	

CUSTOMER SIGN-OFF

COMPANY: _____

SIGNATURE: _____

PRINTED NAME: _____

DATE: _____