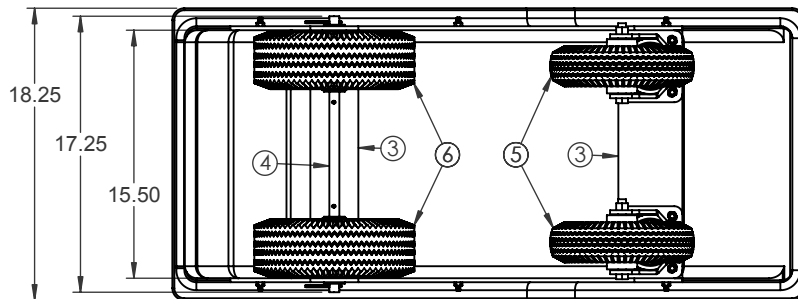
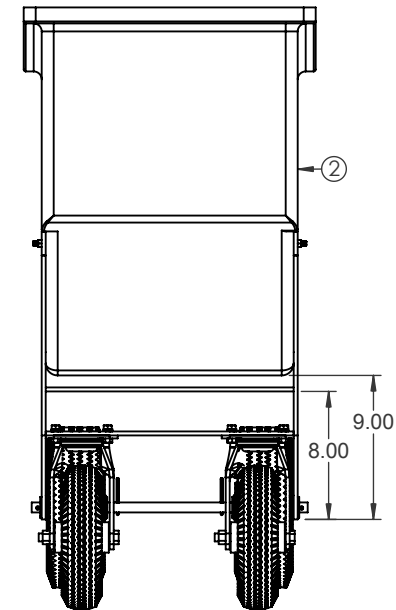
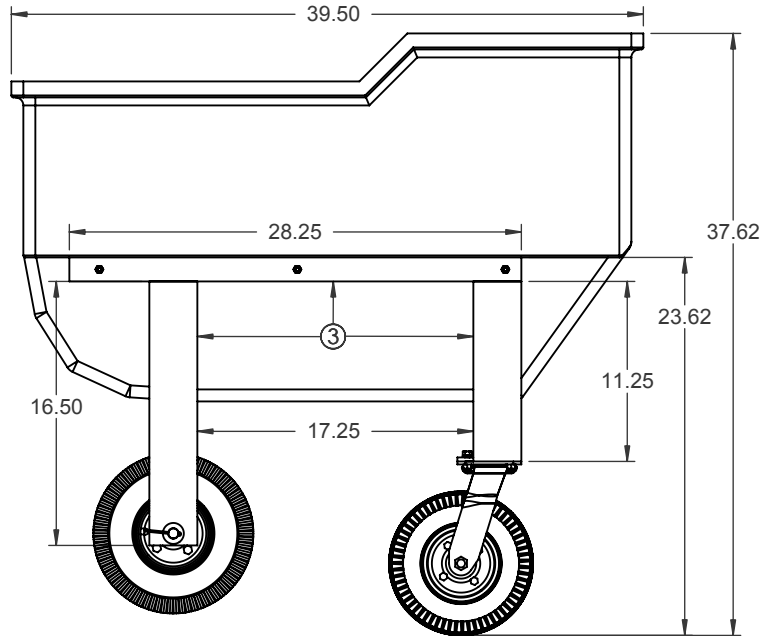


PROPRIETARY DATA

PROPERTY OF DEN HARTOG MFG, INC. INFORMATION FURNISHED HEREIN IS THE PROPERTY OF ACE ROTO-MOLD MFG, INC. AND SHALL NOT BE USED, DISCLOSED TO OTHERS, OR COPIED WITHOUT THE EXPRESSED WRITTEN CONSENT OF ACE ROTO-MOLD MFG, INC. ALL RIGHTS RESERVED.

| KEY | PART NUMBER | DESCRIPTION | QTY. |
|-----|-------------|---------------------------|------|
| 1 | BB10183 | BOLT BAG | 1 |
| 2 | SJ-10193 | FEED CART TUB | 1 |
| 3 | SJ15016 | DELUXE CART WELDMNT | 1 |
| 4 | 12523 | REAR WHEEL SHAFT | 1 |
| 5 | SJ62088710 | WHEEL, 280/250 X 4 SWIVEL | 2 |
| 6 | SJ95740058 | WHEEL, 410/350 X 4" PNEU | 2 |

SJ10232



| | | | | | |
|---|-------------|-----------|-----|--|----------|
| | | | | DRAWN / DATE ADH 10/25/07 | MATERIAL |
| | | | | APPRD. / DATE REH 1/3/08 | |
| REV | DESCRIPTION | BY / DATE | CCN | | |
| ALL DIMENSIONS ARE IN DECIMAL INCHES TOLERANCES UNLESS OTHERWISE SPECIFIED DECIMAL ± .125" FRACTION ± 1/4" ANGLE ± 1° | | | | THIRD ANGLE PROJECTION ANSI 14.5M | NOTES: |



Den Hartog
INDUSTRIES, INC.

Ace Roto-Mold Injection Molding Blow Molding Sowjoy
4010 HOSPERS DRIVE S. BOX 425, HOSPERS, IOWA 51238-0421

| | | |
|-------------|--------------------------|------------------|
| DESCRIPTION | DELUXE FEED CART-WELDMNT | |
| SCALE | N.S. | PART NO. SJ10232 |