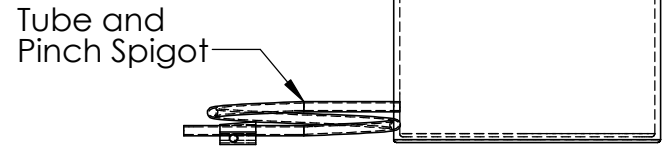
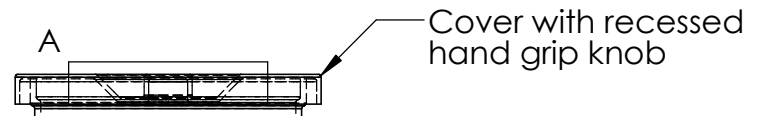
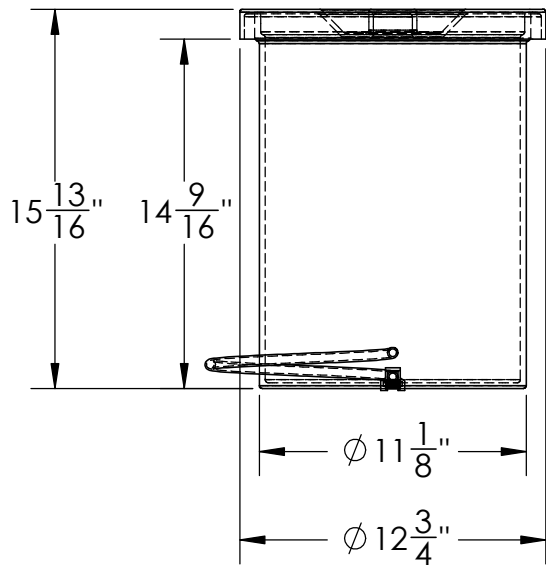
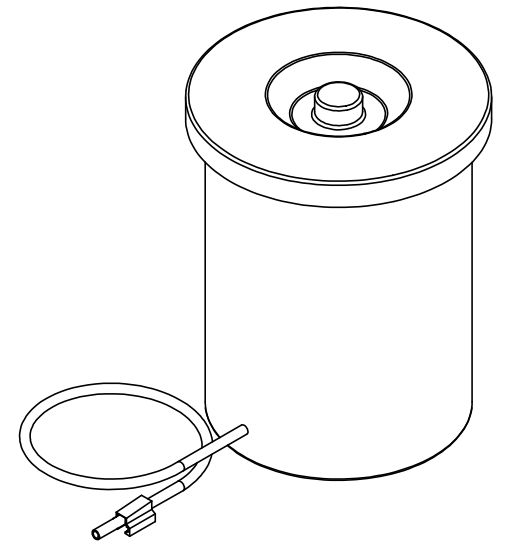


DETAIL A



Natural Molded Polyethylene
Crock w/ Cover & Pinch Spigot
#14817

1390 Neubrecht Road
Lima, Ohio 45801

PROPRIETARY AND CONFIDENTIAL
THE INFORMATION CONTAINED IN THIS DRAWING IS THE SOLE PROPERTY OF TAMCO. ANY REPRODUCTION IN PART OR AS A WHOLE WITHOUT THE WRITTEN PERMISSION OF TAMCO IS PROHIBITED.

MAX. OPERATING TEMP. 140°F
INTERMITTENT SERVICE TO 160°F
SEE CHEMICAL RESISTANCE CHART FOR COMPATIBILITY

DIMENSIONS ARE IN INCHES TOLERANCE: ± 1/4"		NAME	DATE
MATERIAL	LLDPE - FDA resin	DRAWN	JMP 06/03/20
CAPACITY	6 US gal.	APPROVED	
GRADUATIONS	NO	COMMENTS: Translucent UV Stabilized	
NOMINAL WALL THICKNESS	3/16"		

STOCK NO.	14817	REV	A
DO NOT SCALE DRAWING		WEIGHT: 7 lbs.	