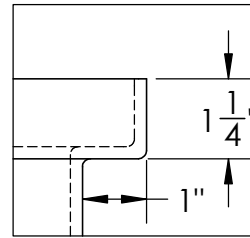
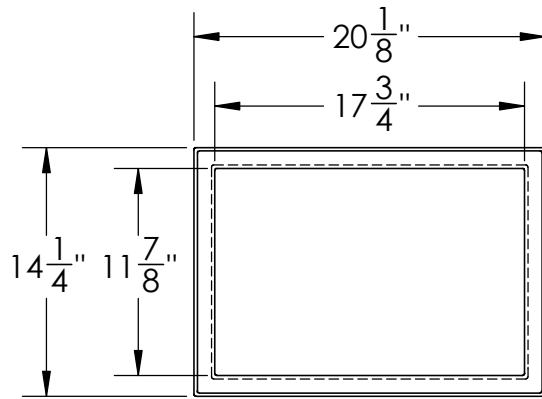
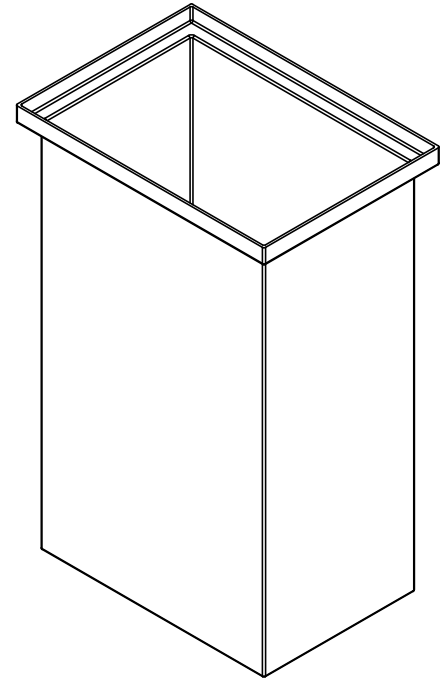
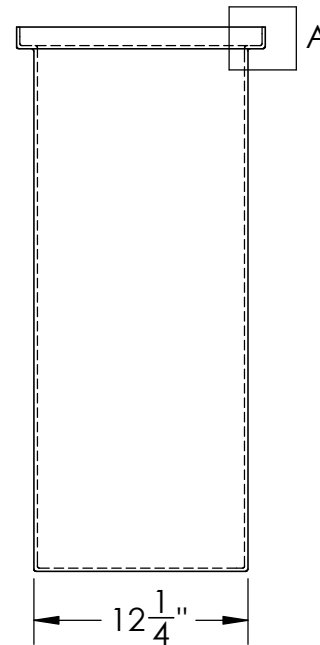
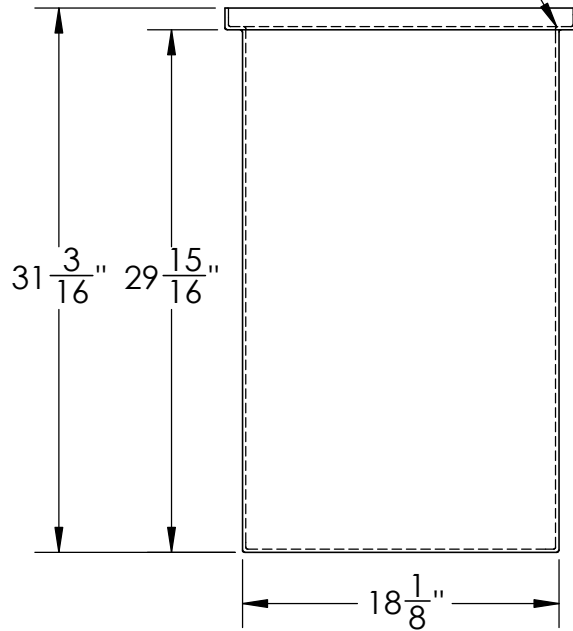


Catalog options:
Cover #14564



DETAIL A

ALL FILLETS AND
ROUNDS R $\frac{1}{8}$ "



Heavy Duty Polyethylene
Tank w/ Internal Flange #14834



STOCK NO. **14834** REV **A**
DO NOT SCALE DRAWING WEIGHT: 15 lbs.

DIMENSIONS ARE IN INCHES TOLERANCE: $\pm 1/4$ " WALL THICKNESS: $\pm 20\%$		NAME	DATE
MATERIAL LLDPE - FDA resin	DRAWN	JMP	11/19/18
CAPACITY 27 US gal.	APPROVED		
GRADUATIONS NO	COMMENTS: Black UV Stabilized		
NOMINAL WALL THICKNESS 3/16"			

PROPRIETARY AND CONFIDENTIAL
THE INFORMATION CONTAINED IN THIS DRAWING IS THE SOLE PROPERTY OF TAMCO. ANY REPRODUCTION IN PART OR AS A WHOLE WITHOUT THE WRITTEN PERMISSION OF TAMCO IS PROHIBITED.

MAX. OPERATING TEMP. 140°F
INTERMITTENT SERVICE TO 160°F
SEE CHEMICAL RESISTANCE CHART FOR COMPATIBILITY