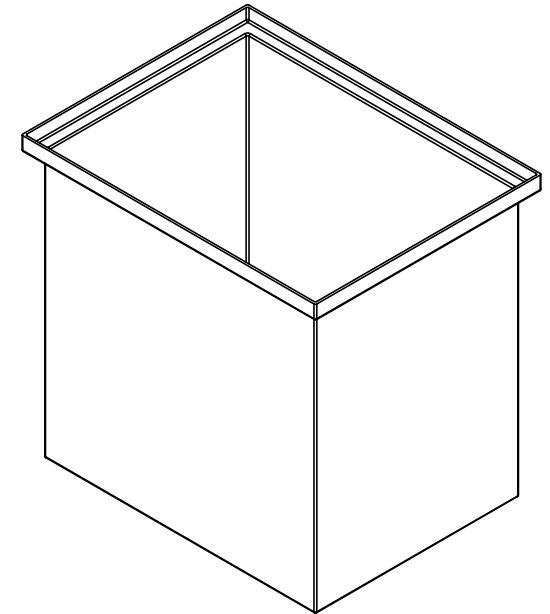
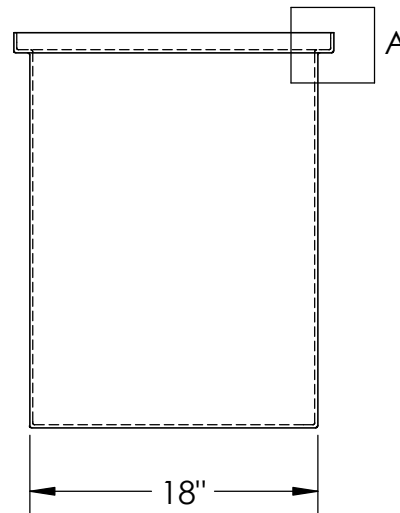
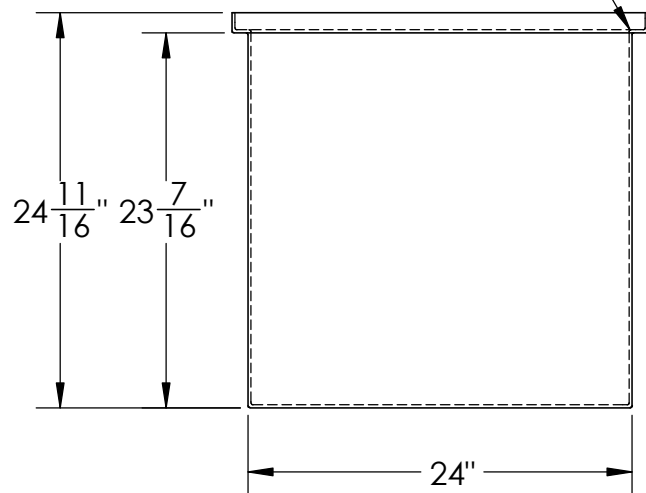


DETAIL A

Catalog options:  
Cover #14565



ALL FILLETS AND  
ROUNDS R $\frac{1}{8}$ "



Heavy Duty Polyethylene  
Tank w/ Internal Flange #14841



**PROPRIETARY AND CONFIDENTIAL**  
THE INFORMATION CONTAINED IN THIS DRAWING IS THE SOLE PROPERTY OF TAMCO. ANY REPRODUCTION IN PART OR AS A WHOLE WITHOUT THE WRITTEN PERMISSION OF TAMCO IS PROHIBITED.

MAX. OPERATING TEMP. 140°F  
INTERMITTENT SERVICE TO 160°F  
SEE CHEMICAL RESISTANCE  
CHART FOR COMPATABILITY

DIMENSIONS ARE IN INCHES TOLERANCE: $\pm 1/4$ "		NAME	DATE
MATERIAL	LLDPE - FDA resin	DRAWN	JMP 11/20/18
CAPACITY	44 US gal.	APPROVED	
GRADUATIONS	NO	COMMENTS: Black UV Stabilized	
NOMINAL WALL THICKNESS	3/16"		

STOCK NO.	14841	REV	A
DO NOT SCALE DRAWING		WEIGHT: 17 lbs.	