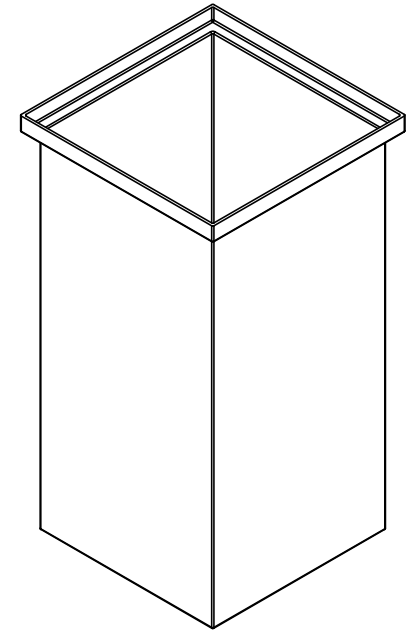
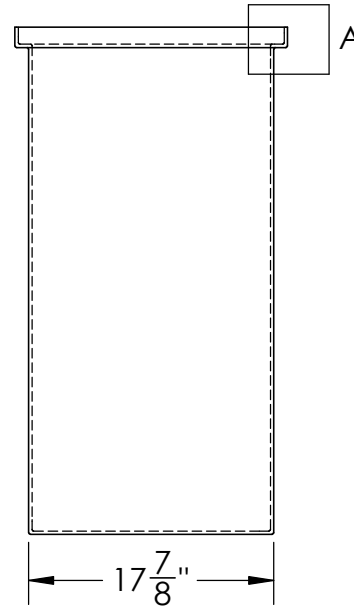
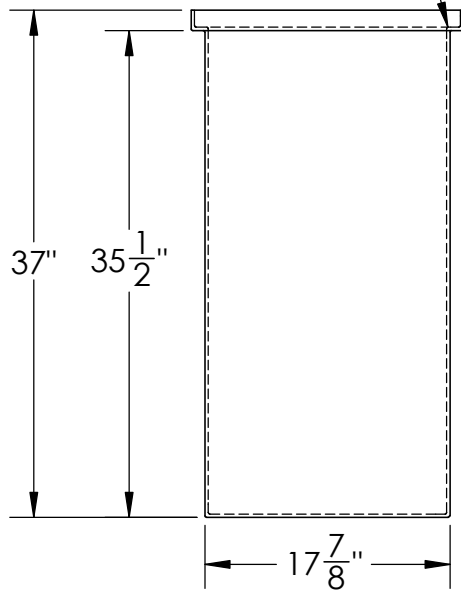


DETAIL A

Catalog options:
Cover #14541



ALL FILLETS AND
ROUNDS $\frac{1}{8}$ "



Heavy Duty Polyethylene
Tank w/ Internal Flange #14845



PROPRIETARY AND CONFIDENTIAL
THE INFORMATION CONTAINED IN THIS DRAWING IS THE SOLE PROPERTY OF TAMCO. ANY REPRODUCTION IN PART OR AS A WHOLE WITHOUT THE WRITTEN PERMISSION OF TAMCO IS PROHIBITED.

MAX. OPERATING TEMP. 140°F
INTERMITTENT SERVICE TO 160°F
SEE CHEMICAL RESISTANCE
CHART FOR COMPATIBILITY

DIMENSIONS ARE IN INCHES TOLERANCE: $\pm 1/4$ "	
MATERIAL	LLDPE - FDA resin
CAPACITY	51 US gal.
GRADUATIONS	NO
NOMINAL WALL THICKNESS	1/4"

	NAME	DATE
DRAWN	JMP	11/20/18
APPROVED		
COMMENTS:		
Black UV Stabilized		

STOCK NO.	REV
14845	A
DO NOT SCALE DRAWING	WEIGHT: 27 lbs.