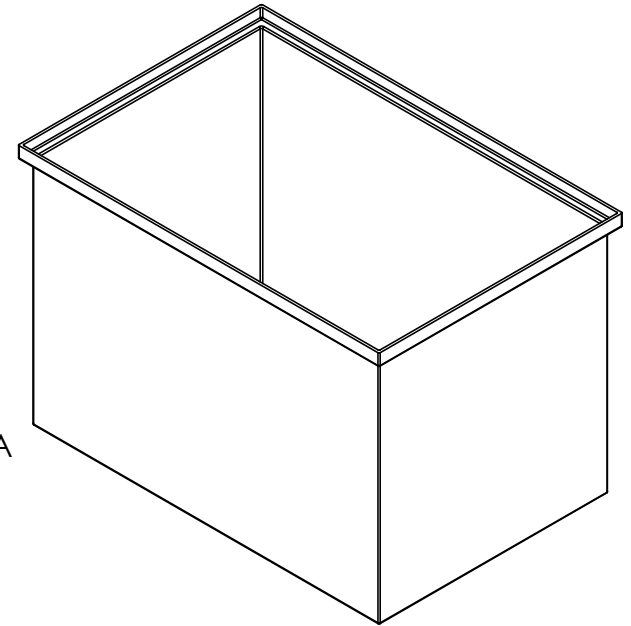
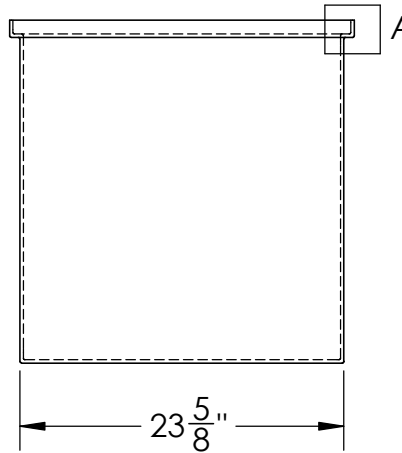
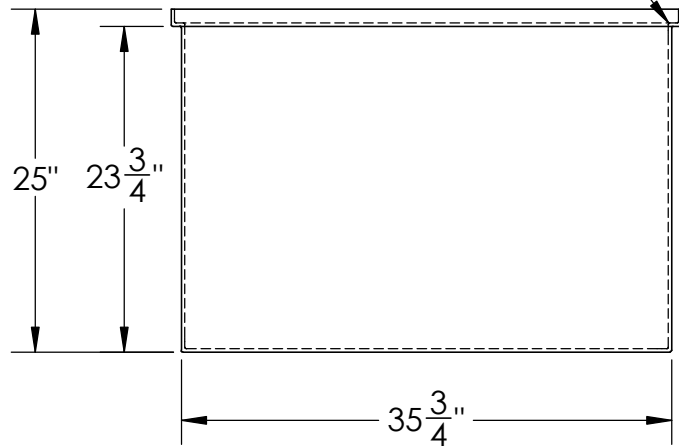


DETAIL A

Catalog options:
Cover #14844



ALL FILLETS AND
ROUNDS R $\frac{1}{8}$ "



Heavy Duty Polyethylene
Tank w/ Internal Flange #14854



STOCK NO. **14854** REV **A**
DO NOT SCALE DRAWING WEIGHT: 40 lbs.

PROPRIETARY AND CONFIDENTIAL
THE INFORMATION CONTAINED IN THIS DRAWING IS THE SOLE PROPERTY OF TAMCO. ANY REPRODUCTION IN PART OR AS A WHOLE WITHOUT THE WRITTEN PERMISSION OF TAMCO IS PROHIBITED.

MAX. OPERATING TEMP. 140°F
INTERMITTENT SERVICE TO 160°F
SEE CHEMICAL RESISTANCE CHART FOR COMPATABILITY

DIMENSIONS ARE IN INCHES TOLERANCE: ± 1/4"		NAME	DATE
MATERIAL	LLDPE - FDA resin	DRAWN	JMP 11/20/18
CAPACITY	90 US gal.	APPROVED	
GRADUATIONS	NO	COMMENTS: Black UV Stabilized	
NOMINAL WALL THICKNESS	1/4"		