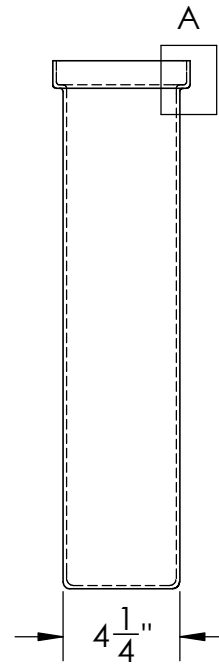
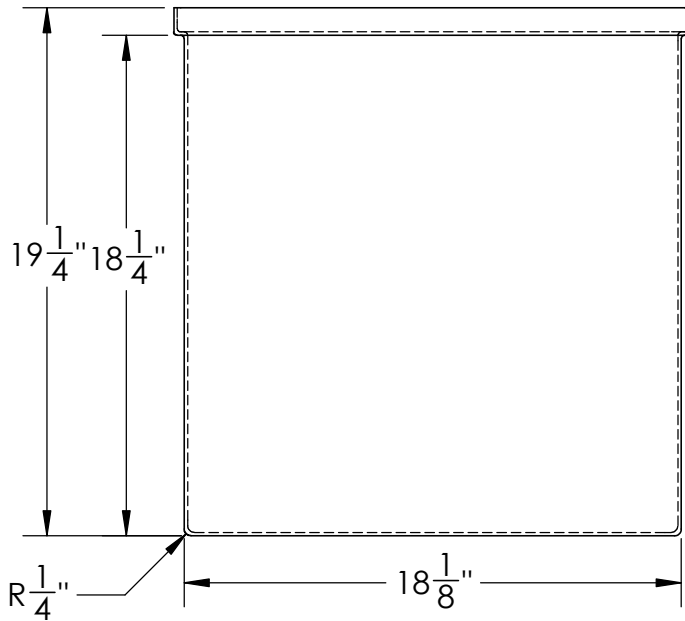
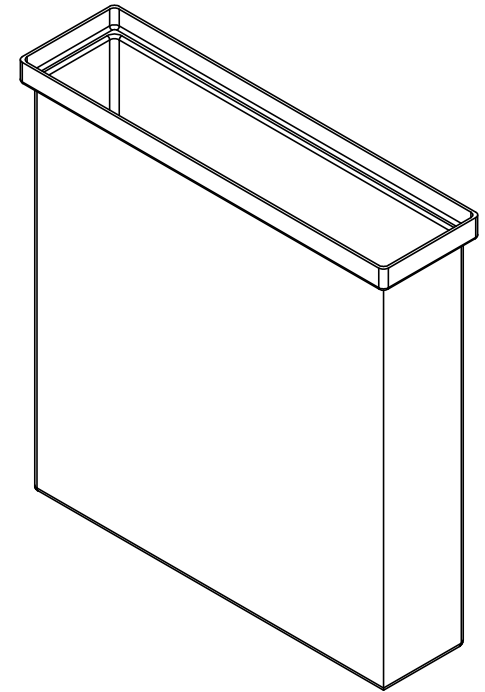
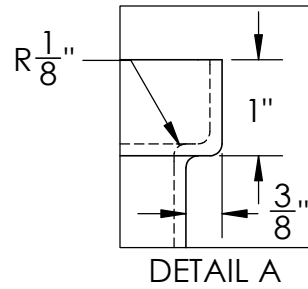
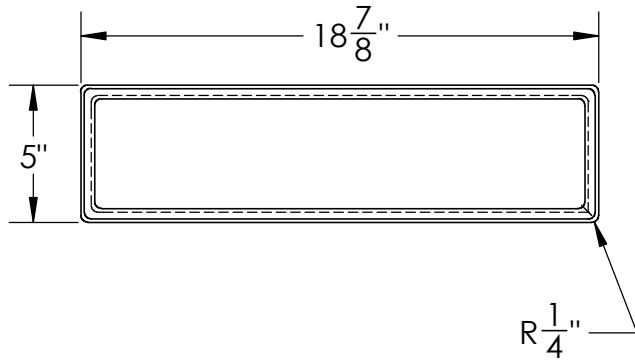


Catalog option:  
Cover #14860



One-Piece Molded  
Polyethylene Tank #14856



1390 Neubrecht Road  
Lima, Ohio 45801

STOCK NO.	14856	REV	A
DO NOT SCALE DRAWING		WEIGHT: 5.5 lbs.	

DIMENSIONS ARE IN INCHES TOLERANCE: ± 1/4"		NAME	DATE
MATERIAL	LLDPE - FDA resin	DRAWN	JMP 11/19/18
CAPACITY	6 US gal.	APPROVED	
GRADUATIONS	NO	COMMENTS:  Black UV Stabilized	
NOMINAL WALL THICKNESS	1/8"		

**PROPRIETARY AND CONFIDENTIAL**  
THE INFORMATION CONTAINED IN THIS DRAWING IS THE SOLE PROPERTY OF TAMCO. ANY REPRODUCTION IN PART OR AS A WHOLE WITHOUT THE WRITTEN PERMISSION OF TAMCO IS PROHIBITED.

MAX. OPERATING TEMP. 140°F  
INTERMITTENT SERVICE TO 160°F  
SEE CHEMICAL RESISTANCE  
CHART FOR COMPATIBILITY