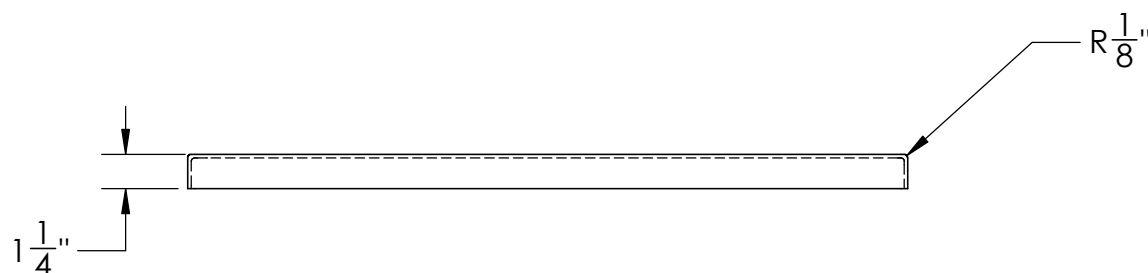
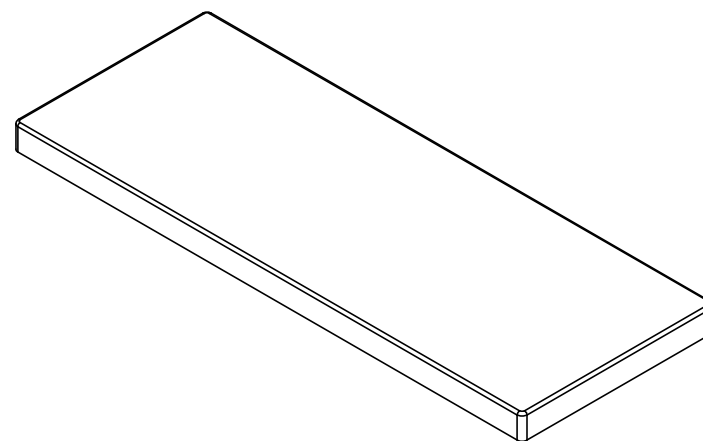
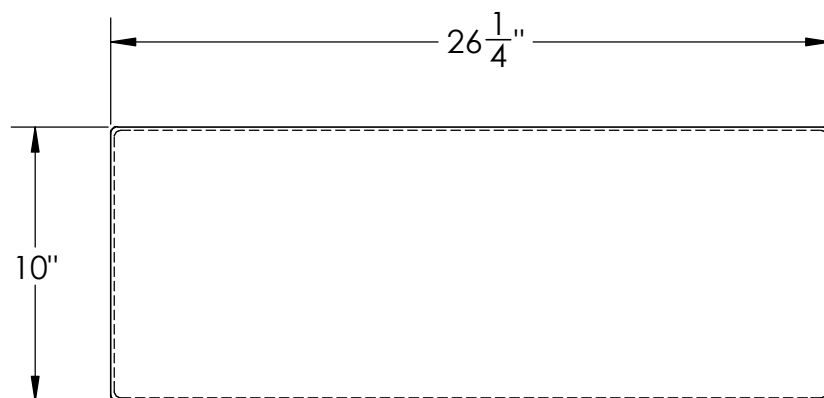


Catalog options:
Tank #14858



Polyethylene
Tank Cover #14862



1390 Neubrecht Road
Lima, Ohio 45801

STOCK NO.

14862

REV

A

DO NOT SCALE DRAWING

WEIGHT: 1.5 lbs.

DIMENSIONS ARE IN INCHES TOLERANCE: ± 1/4"		DRAWN	NAME	DATE
MATERIAL LLDPE - FDA resin		APPROVED	JMP	11/19/18
CAPACITY	N/A	COMMENTS: Black UV Stabilized		
GRADUATIONS	N/A			
NOMINAL WALL THICKNESS	1/8"			

PROPRIETARY AND CONFIDENTIAL
THE INFORMATION CONTAINED IN THIS DRAWING IS THE SOLE PROPERTY OF TAMCO. ANY REPRODUCTION IN PART OR AS A WHOLE WITHOUT THE WRITTEN PERMISSION OF TAMCO IS PROHIBITED.

MAX. OPERATING TEMP. 140°F
INTERMITTENT SERVICE TO 160°F
SEE CHEMICAL RESISTANCE
CHART FOR COMPATABILITY