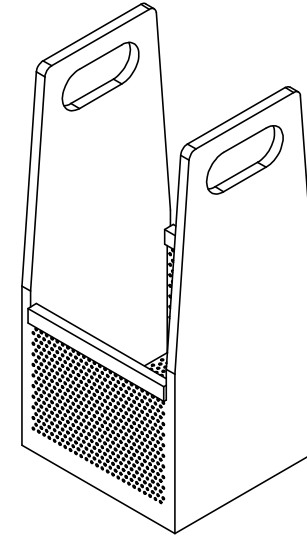
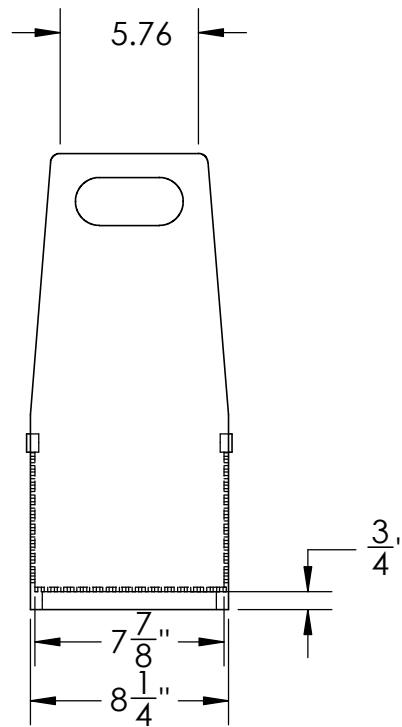
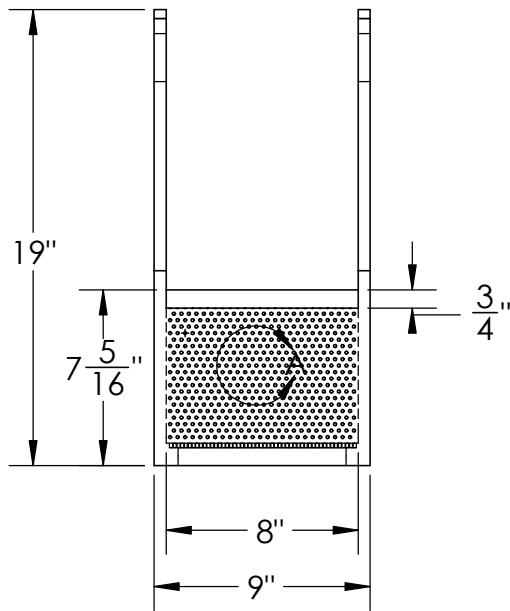


DETAIL A



18" x 18" x 12" Dipping  
Basket with 1/8"  
Perforations #14917



1390 Neubrecht Road  
Lima, Ohio 45801

STOCK NO.

14917

REV

A

DO NOT SCALE DRAWING

WEIGHT: 20 lbs.

DIMENSIONS ARE IN INCHES TOLERANCE: ± 1/4"	
MATERIAL	Polypropylene
CAPACITY	N/A
GRADUATIONS	N/A
NOMINAL WALL THICKNESS	Basket = 3/16" Handle & Supports = 1/2"

DRAWN	NAME	DATE
APPROVED	NJV	6/6/23
COMMENTS:		
1/8" Perforations Welded Construction		

**PROPRIETARY AND CONFIDENTIAL**  
THE INFORMATION CONTAINED IN THIS  
DRAWING IS THE SOLE PROPERTY OF  
TAMCO. ANY REPRODUCTION IN PART  
OR AS A WHOLE WITHOUT THE WRITTEN  
PERMISSION OF TAMCO IS PROHIBITED.

MAX. OPERATING TEMP. 200°F  
SEE CHEMICAL RESISTANCE  
CHART FOR COMPATABILITY