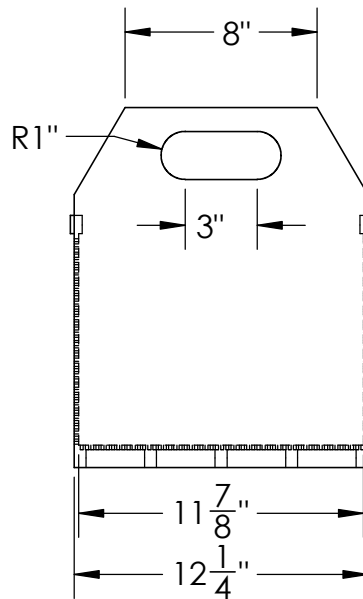
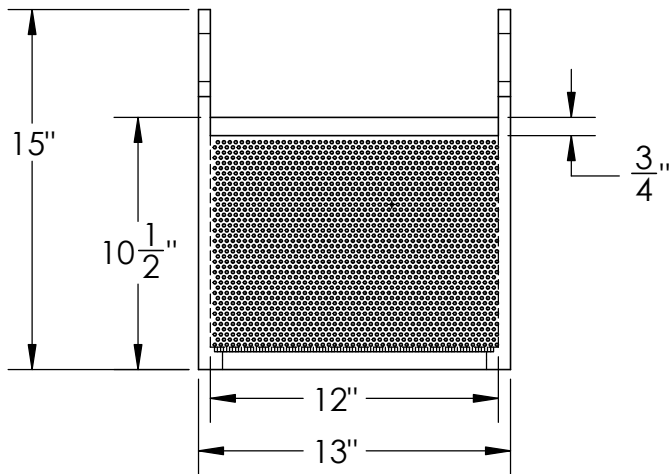
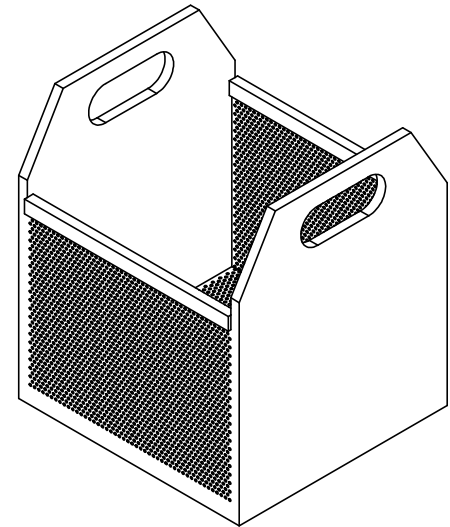


DETAIL F



Bottom is supported with welded frame and supports

12" x 12" x 8" Dipping Basket with 1/8" Perforations #14919



1390 Neubrecht Road  
Lima, Ohio 45801

STOCK NO.	14919	REV	A
DO NOT SCALE DRAWING		WEIGHT: 20 lbs.	

DIMENSIONS ARE IN INCHES TOLERANCE: ± 1/4"		NAME	DATE
MATERIAL	Polypropylene	DRAWN	NJV 6/7/23
CAPACITY	N/A	APPROVED	
GRADUATIONS	N/A	COMMENTS:	
NOMINAL WALL THICKNESS	Basket = 3/16" Handle & Supports = 1/2"	1/8" Perforations Welded Construction	

<b>PROPRIETARY AND CONFIDENTIAL</b>	MAX. OPERATING TEMP. 200°F SEE CHEMICAL RESISTANCE CHART FOR COMPATIBILITY
THE INFORMATION CONTAINED IN THIS DRAWING IS THE SOLE PROPERTY OF TAMCO. ANY REPRODUCTION IN PART OR AS A WHOLE WITHOUT THE WRITTEN PERMISSION OF TAMCO IS PROHIBITED.	