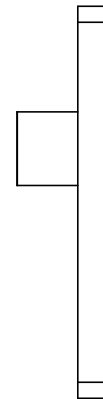
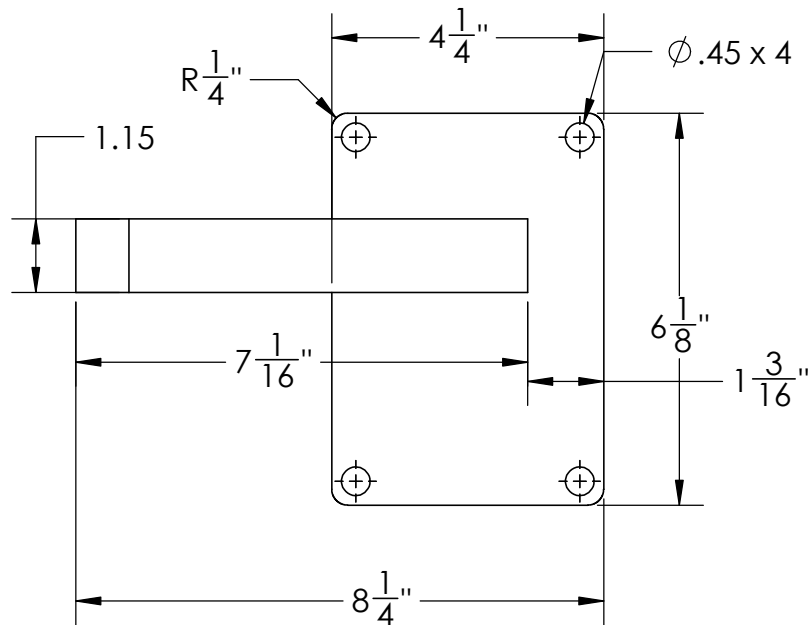
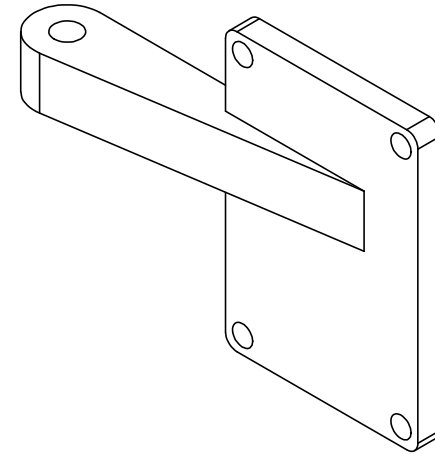


This Plate will fit # 15231, 15232, 15202 5/8" Motor Shaft



Motor Plate for 5/8" Shaft Motor



STOCK NO. **15211** REV **A**

DO NOT SCALE DRAWING

WEIGHT: 2 lbs.

DIMENSIONS ARE IN INCHES TOLERANCE: $\pm 1/4$ "		NAME	DATE
MATERIAL	Aluminum	DRAWN	NJV 7/14/23
CAPACITY	-	APPROVED	
GRADUATIONS	-	REVISIONS	
NOMINAL WALL THICKNESS	-	COMMENTS:	

**PROPRIETARY AND CONFIDENTIAL**

THE INFORMATION CONTAINED IN THIS DRAWING IS THE SOLE PROPERTY OF TAMCO. ANY REPRODUCTION IN PART OR AS A WHOLE WITHOUT THE WRITTEN PERMISSION OF TAMCO IS PROHIBITED.