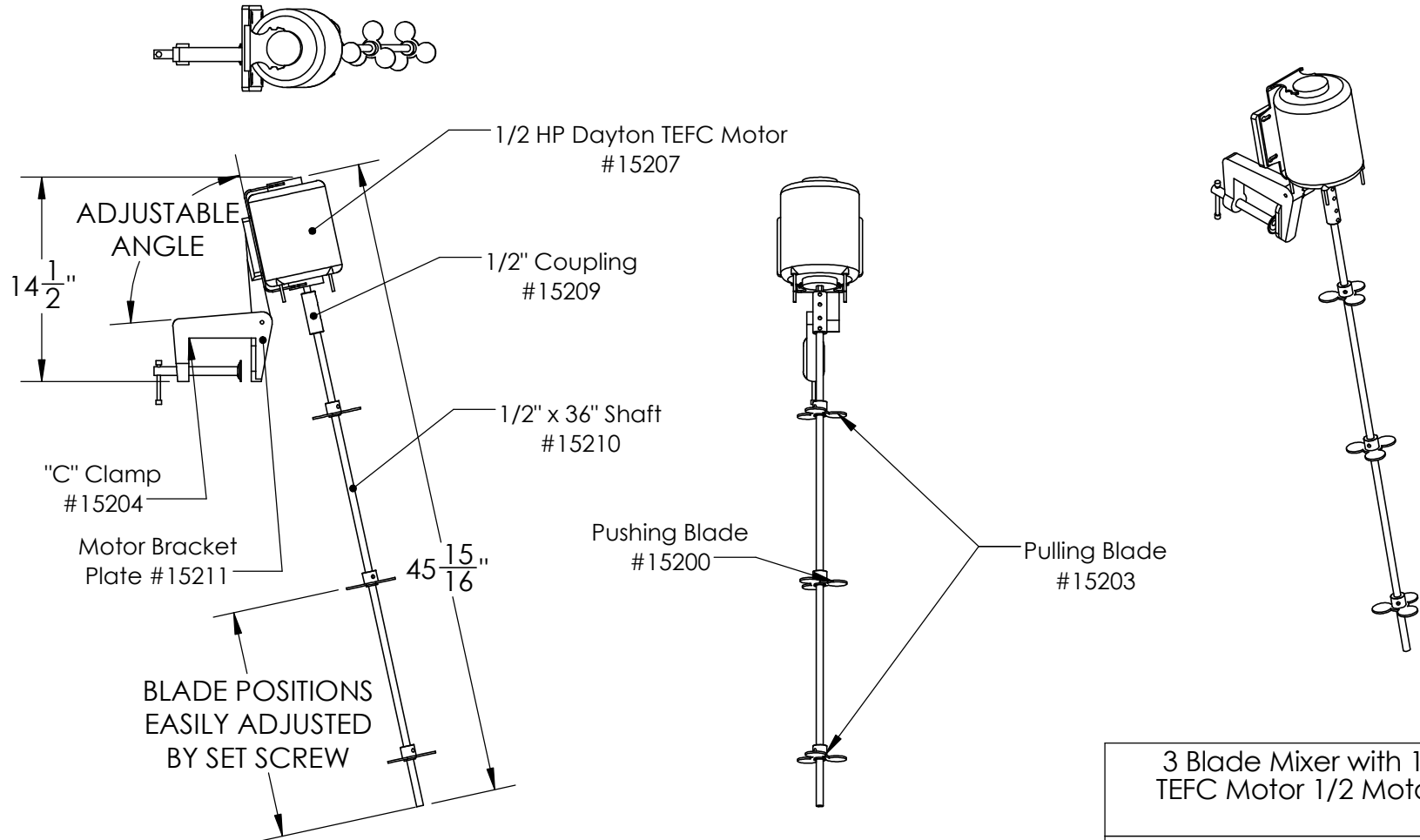


FOR ADDITIONAL DETAIL,  
SEE INDIVIDUAL PART DRAWINGS



3 Blade Mixer with 1/2 HP, TEFC Motor 1/2 Motor Shaft



1390 Neubrecht Road  
Lima, Ohio 45801

|   |            |              |             |
|---|------------|--------------|-------------|
| DIMENSIONS ARE IN INCHES<br>TOLERANCE: ± 1/4" |            | NAME         | DATE        |
| MATERIAL                                      | XXXX       | DRAWN        | NJV 7/26/23 |
| CAPACITY                                      | XX US gal. | APPROVED     |             |
| GRADUATIONS                                   | XX gal.    | COMMENTS:    |             |
| NOMINAL WALL THICKNESS                        | XX"        | XXXX<br>XXXX |             |

**PROPRIETARY AND CONFIDENTIAL**  
THE INFORMATION CONTAINED IN THIS DRAWING IS THE SOLE PROPERTY OF TAMCO. ANY REPRODUCTION IN PART OR AS A WHOLE WITHOUT THE WRITTEN PERMISSION OF TAMCO IS PROHIBITED.

XXXX  
XXXX

|                      |                   |
|----------------------|-------------------|
| STOCK NO.            | REV               |
| 15232                | A                 |
| DO NOT SCALE DRAWING | WEIGHT: 33.3 lbs. |