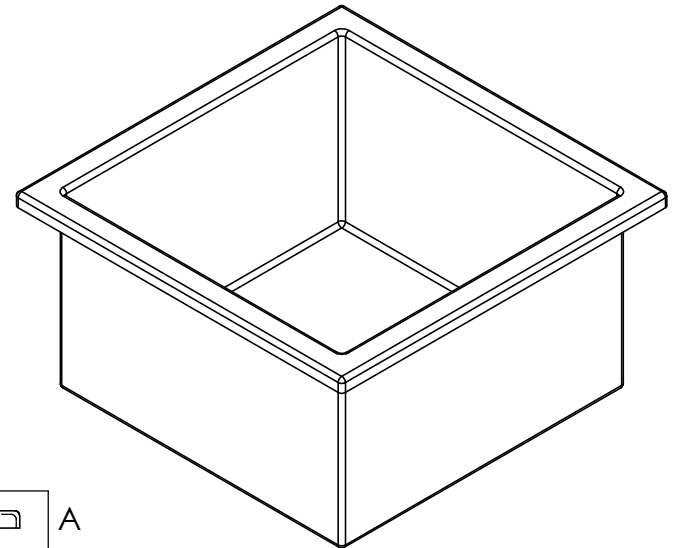
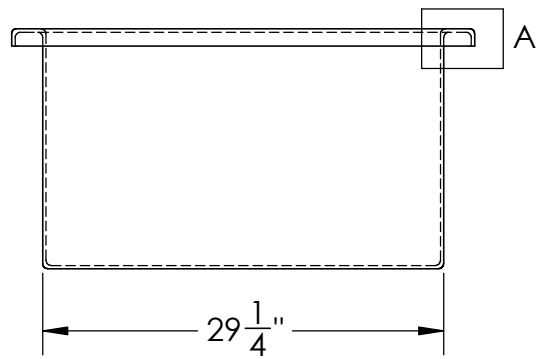
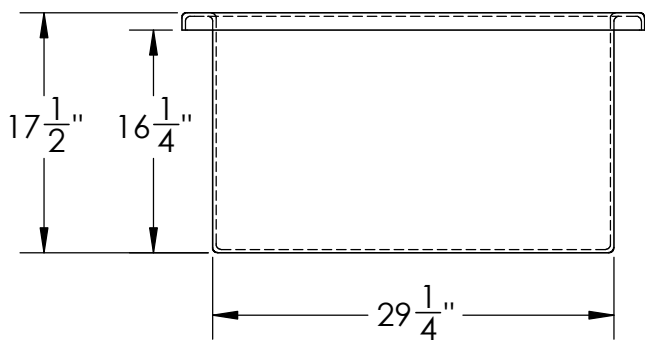


DETAIL A

ALL FILLETS AND ROUNDS R $\frac{3}{8}$ "



Catalog options:
Cover #15315



Black Heavy Duty Polyethylene
Tank w/ External Flange
#15289

TAMCO
INDUSTRIES
1390 Neubrecht Road
Lima, Ohio 45801

DIMENSIONS ARE IN INCHES TOLERANCE: ± 1/4"		NAME	DATE
MATERIAL	LLDPE - FDA resin	DRAWN	CDH 06/14/16
CAPACITY	69 US gal.	APPROVED	BAT 07/13/16
GRADUATIONS	NO	REVISED	JMP 03/23/18
NOMINAL WALL THICKNESS	1/4"	COMMENTS: Black UV Stabilized	

PROPRIETARY AND CONFIDENTIAL
THE INFORMATION CONTAINED IN THIS DRAWING IS THE SOLE PROPERTY OF TAMCO. ANY REPRODUCTION IN PART OR AS A WHOLE WITHOUT THE WRITTEN PERMISSION OF TAMCO IS PROHIBITED.

MAX. OPERATING TEMP. 140°F
INTERMITTENT SERVICE TO 160°F
SEE CHEMICAL RESISTANCE CHART FOR COMPATABILITY

STOCK NO.	15289	REV	A
DO NOT SCALE DRAWING		WEIGHT: 28 lbs.	