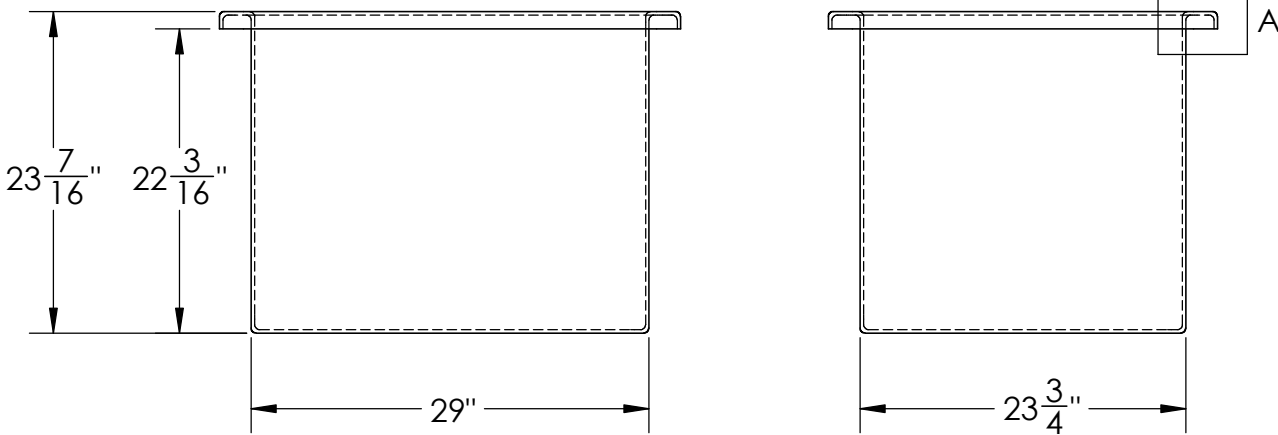
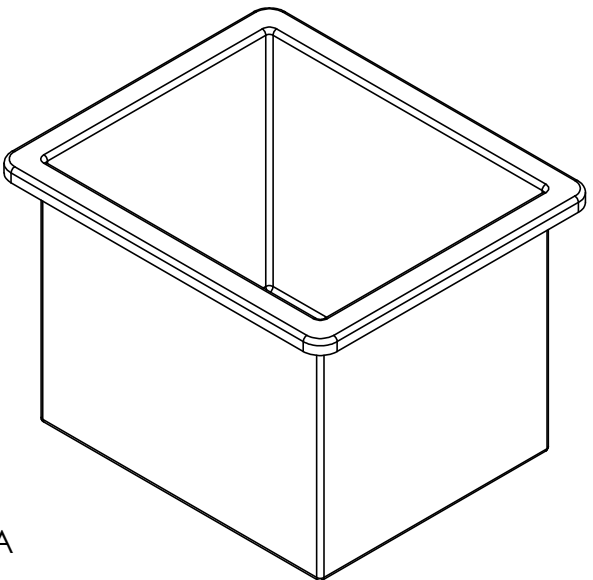
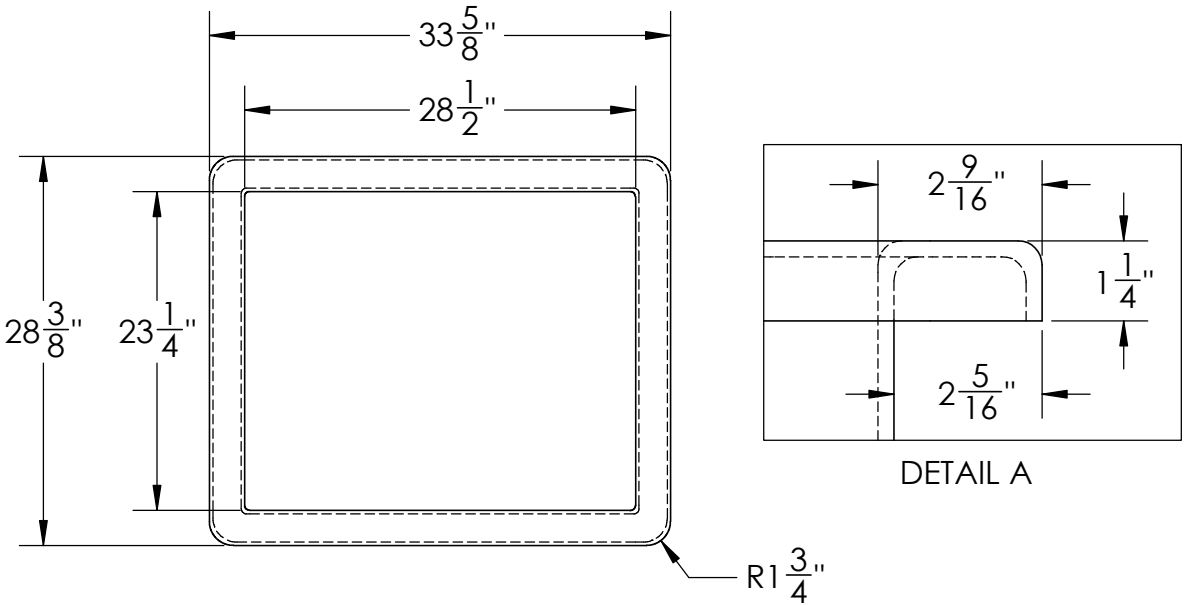


Catalog options:  
Cover #15314



Black Heavy Duty Polyethylene  
Tank w/ External Flange  
#15293



STOCK NO. **15293** REV **A**  
DO NOT SCALE DRAWING WEIGHT: 30 lbs.

|   |                   |                                  |              |
|---|-------------------|----------------------------------|--------------|
| DIMENSIONS ARE IN INCHES<br>TOLERANCE: ± 1/4" |                   | NAME                             | DATE         |
| MATERIAL                                      | LLDPE - FDA resin | DRAWN                            | JMP 05/28/20 |
| CAPACITY                                      | 70 US gal.        | APPROVED                         |              |
| GRADUATIONS                                   | NO                | COMMENTS:<br>Black UV Stabilized |              |
| NOMINAL WALL THICKNESS                        | 1/4"              |                                  |              |

**PROPRIETARY AND CONFIDENTIAL**  
THE INFORMATION CONTAINED IN THIS DRAWING IS THE SOLE PROPERTY OF TAMCO. ANY REPRODUCTION IN PART OR AS A WHOLE WITHOUT THE WRITTEN PERMISSION OF TAMCO IS PROHIBITED.

MAX. OPERATING TEMP. 140°F  
INTERMITTENT SERVICE TO 160°F  
SEE CHEMICAL RESISTANCE CHART FOR COMPATIBILITY