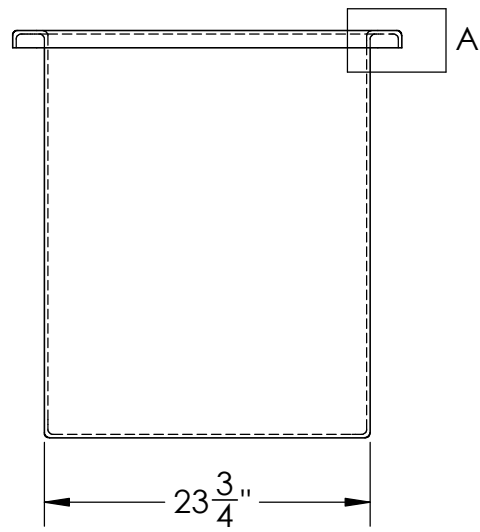
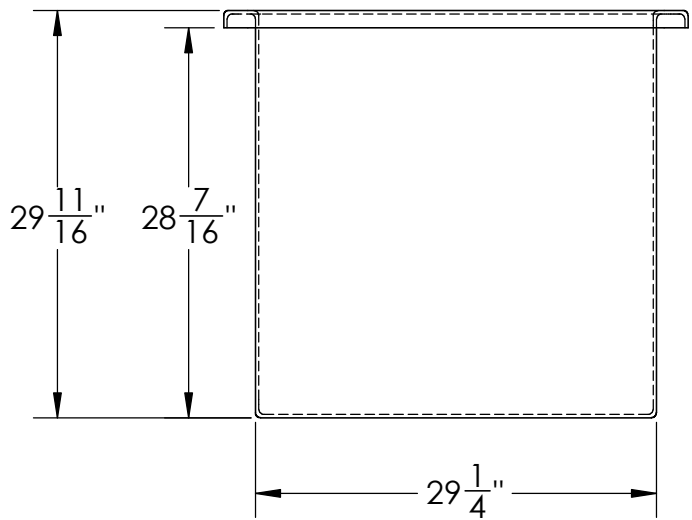
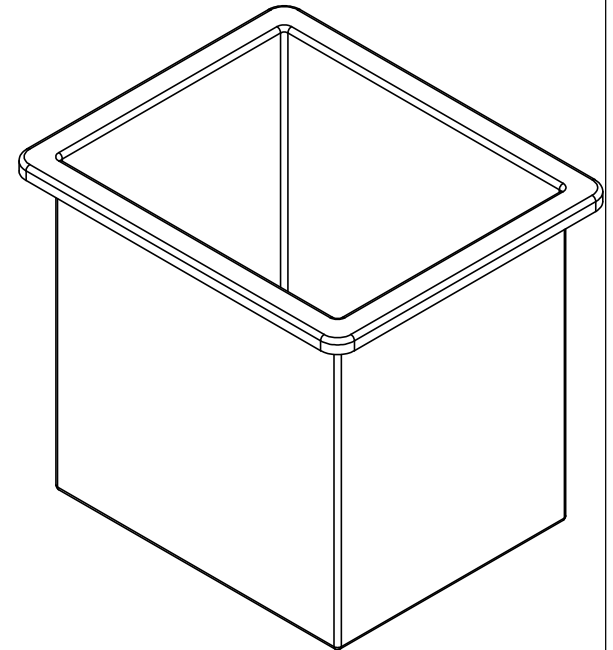


DETAIL A



Catalog options:  
Cover #15314



Black Heavy Duty Polyethylene  
Tank w/ External Flange  
#15296



STOCK NO. **15296** REV **A**

DO NOT SCALE DRAWING

WEIGHT: 35 lbs.

DIMENSIONS ARE IN INCHES TOLERANCE: ± 1/4"		NAME	DATE
MATERIAL	LLDPE - FDA resin	DRAWN	JMP 05/28/20
CAPACITY	85 US gal.	APPROVED	
GRADUATIONS	NO	COMMENTS:  Black UV Stabilized	
NOMINAL WALL THICKNESS	1/4"		

**PROPRIETARY AND CONFIDENTIAL**  
THE INFORMATION CONTAINED IN THIS DRAWING IS THE SOLE PROPERTY OF TAMCO. ANY REPRODUCTION IN PART OR AS A WHOLE WITHOUT THE WRITTEN PERMISSION OF TAMCO IS PROHIBITED.

MAX. OPERATING TEMP. 140°F  
INTERMITTENT SERVICE TO 160°F  
SEE CHEMICAL RESISTANCE CHART FOR COMPATIBILITY