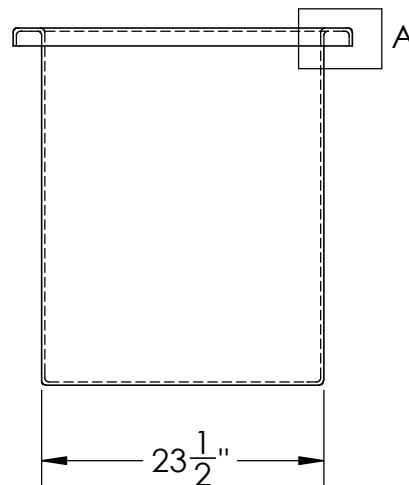
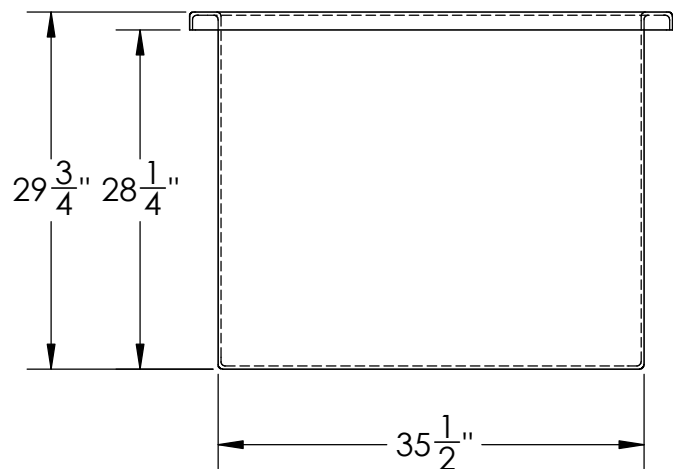
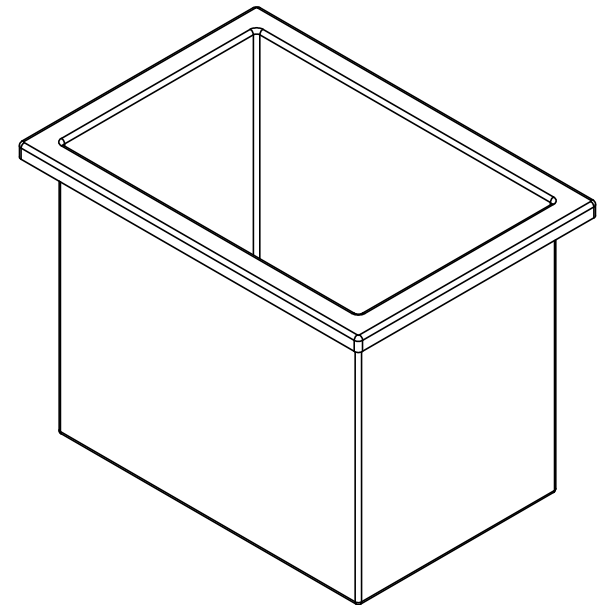


DETAIL A



Black Heavy Duty Polyethylene
Tank w/ External Flange
#15302



STOCK NO.	REV
15302	A
DO NOT SCALE DRAWING	WEIGHT: 41 lbs.

DIMENSIONS ARE IN INCHES TOLERANCE: ± 1/4"	DRAWN	NAME	DATE
MATERIAL LLDPE - FDA resin	APPROVED	JMP	05/29/20
CAPACITY 112 US gal.	COMMENTS: Black UV Stabilized		
GRADUATIONS NO			
NOMINAL WALL THICKNESS 1/4"			

PROPRIETARY AND CONFIDENTIAL
THE INFORMATION CONTAINED IN THIS DRAWING IS THE SOLE PROPERTY OF TAMCO. ANY REPRODUCTION IN PART OR AS A WHOLE WITHOUT THE WRITTEN PERMISSION OF TAMCO IS PROHIBITED.

MAX. OPERATING TEMP. 140°F
INTERMITTENT SERVICE TO 160°F
SEE CHEMICAL RESISTANCE
CHART FOR COMPATABILITY