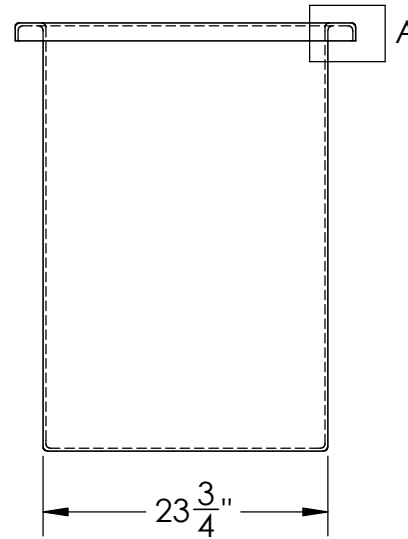
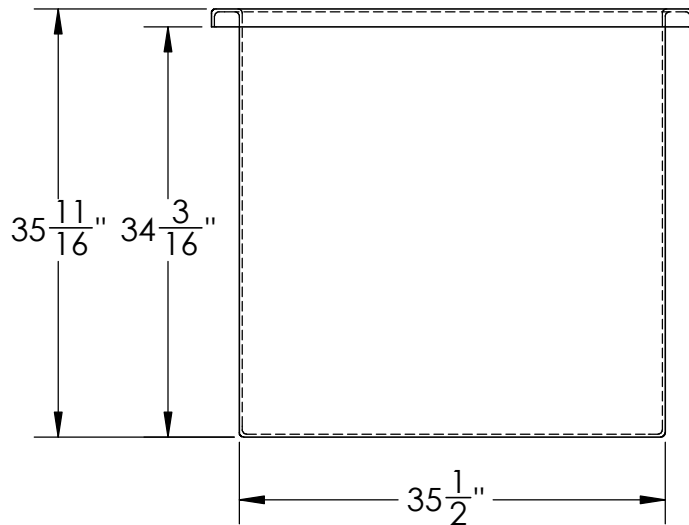
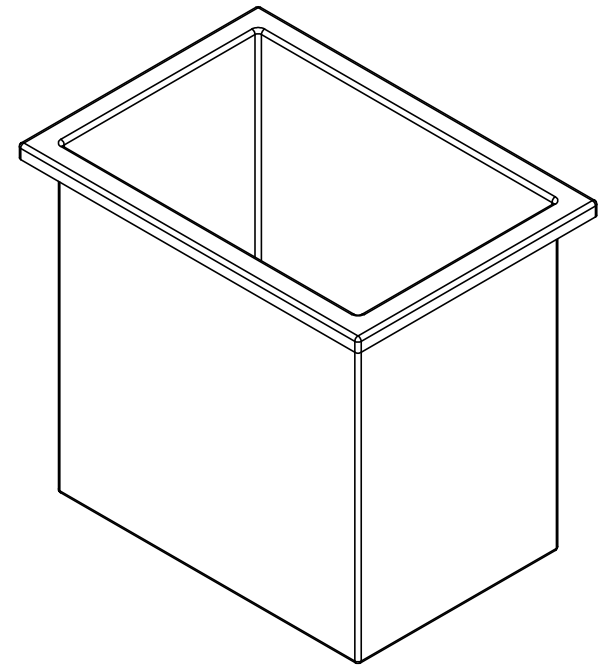


DETAIL A



Black Heavy Duty Polyethylene  
Tank w/ External Flange  
#15304

**TAMCO**  
INDUSTRIES  
1390 Neubrecht Road  
Lima, Ohio 45801

STOCK NO. **15304** REV **A**

DO NOT SCALE DRAWING

WEIGHT: 47 lbs.

DIMENSIONS ARE IN INCHES TOLERANCE: ± 1/4"		NAME	DATE
MATERIAL	LLDPE - FDA resin	DRAWN	JMP 05/29/20
CAPACITY	135 US gal.	APPROVED	
GRADUATIONS	NO	COMMENTS:  Black UV Stabilized	
NOMINAL WALL THICKNESS	1/4"		

**PROPRIETARY AND CONFIDENTIAL**  
THE INFORMATION CONTAINED IN THIS DRAWING IS THE SOLE PROPERTY OF TAMCO. ANY REPRODUCTION IN PART OR AS A WHOLE WITHOUT THE WRITTEN PERMISSION OF TAMCO IS PROHIBITED.

MAX. OPERATING TEMP. 140°F  
INTERMITTENT SERVICE TO 160°F  
SEE CHEMICAL RESISTANCE  
CHART FOR COMPATIBILITY