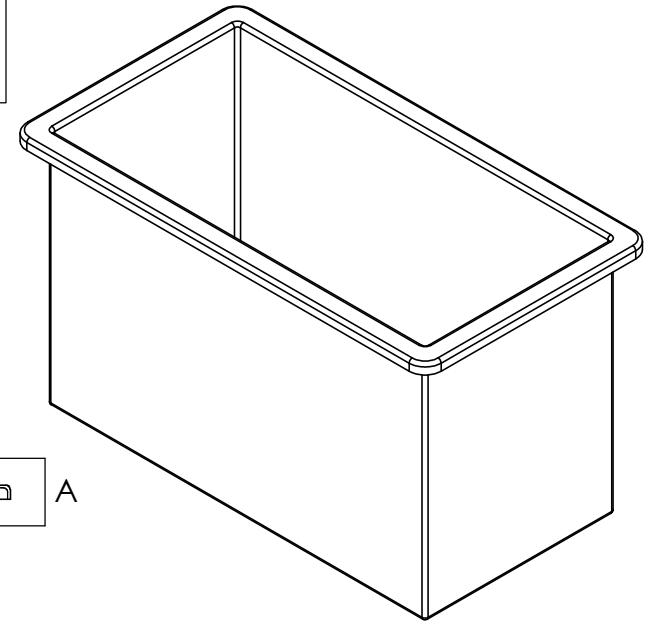
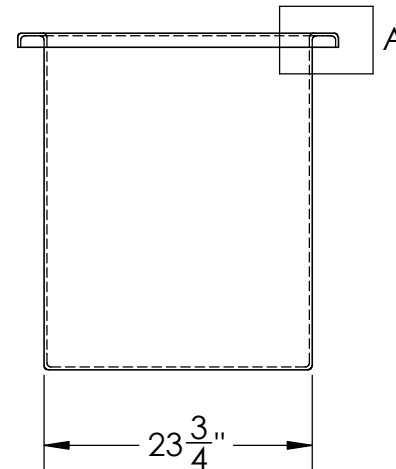
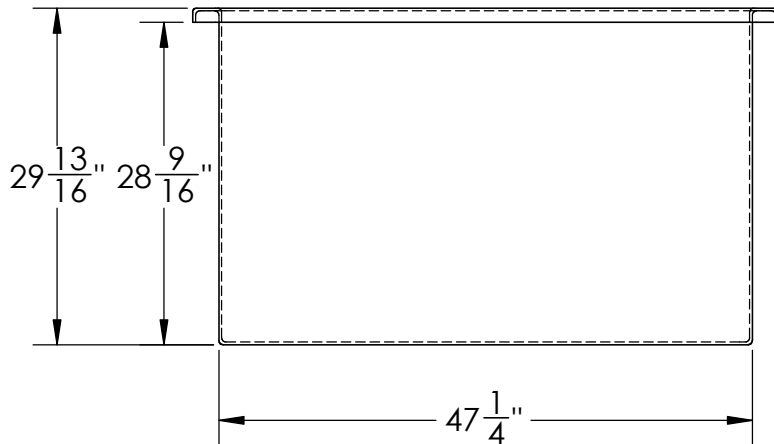


DETAIL A

Catalog options:  
Cover #15316



R2"



Black Heavy Duty Polyethylene  
Tank w/ External Flange  
#15305



|                      |                 |
|----------------------|-----------------|
| STOCK NO.            | REV             |
| 15305                | A               |
| DO NOT SCALE DRAWING | WEIGHT: 49 lbs. |

|   |                                     |          |
|---|-------------------------------------|----------|
| DIMENSIONS ARE IN INCHES<br>TOLERANCE: ± 1/4" | NAME                                | DATE     |
| MATERIAL<br>LLDPE - FDA resin                 | DRAWN<br>JMP                        | 05/29/20 |
| CAPACITY<br>135 US gal.                       | APPROVED                            |          |
| GRADUATIONS<br>NO                             | COMMENTS:<br>Black<br>UV Stabilized |          |
| NOMINAL WALL THICKNESS<br>1/4"                |                                     |          |

**PROPRIETARY AND CONFIDENTIAL**  
THE INFORMATION CONTAINED IN THIS DRAWING IS THE SOLE PROPERTY OF TAMCO. ANY REPRODUCTION IN PART OR AS A WHOLE WITHOUT THE WRITTEN PERMISSION OF TAMCO IS PROHIBITED.

MAX. OPERATING TEMP. 140°F  
INTERMITTENT SERVICE TO 160°F  
SEE CHEMICAL RESISTANCE  
CHART FOR COMPATIBILITY