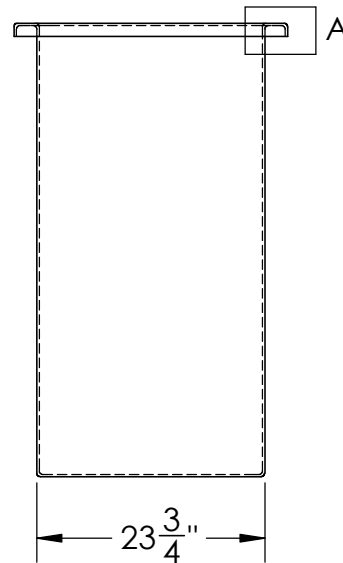
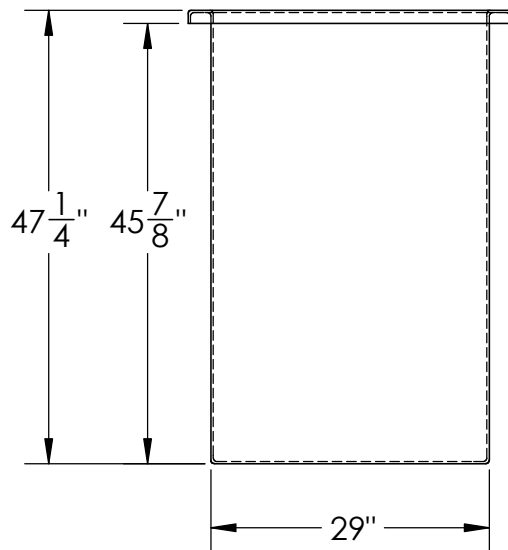
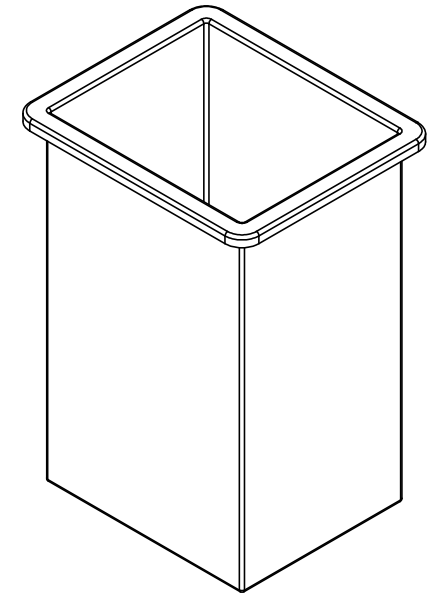


DETAIL A

Catalog options:
Cover #15314



Black Heavy Duty Polyethylene
Tank w/ External Flange
#15309



STOCK NO. **15309** REV **A**

DO NOT SCALE DRAWING

WEIGHT: 51 lbs.

DIMENSIONS ARE IN INCHES TOLERANCE: ± 1/4"	NAME	DATE
MATERIAL LLDPE - FDA resin	DRAWN JMP	05/29/20
CAPACITY 140 US gal.	APPROVED	
GRADUATIONS NO	COMMENTS: Black UV Stabilized	
NOMINAL WALL THICKNESS 1/4"		

PROPRIETARY AND CONFIDENTIAL
THE INFORMATION CONTAINED IN THIS DRAWING IS THE SOLE PROPERTY OF TAMCO. ANY REPRODUCTION IN PART OR AS A WHOLE WITHOUT THE WRITTEN PERMISSION OF TAMCO IS PROHIBITED.

MAX. OPERATING TEMP. 140°F
INTERMITTENT SERVICE TO 160°F
SEE CHEMICAL RESISTANCE
CHART FOR COMPATIBILITY