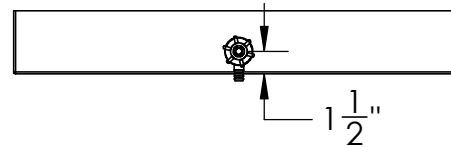
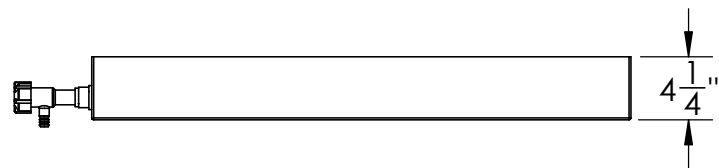
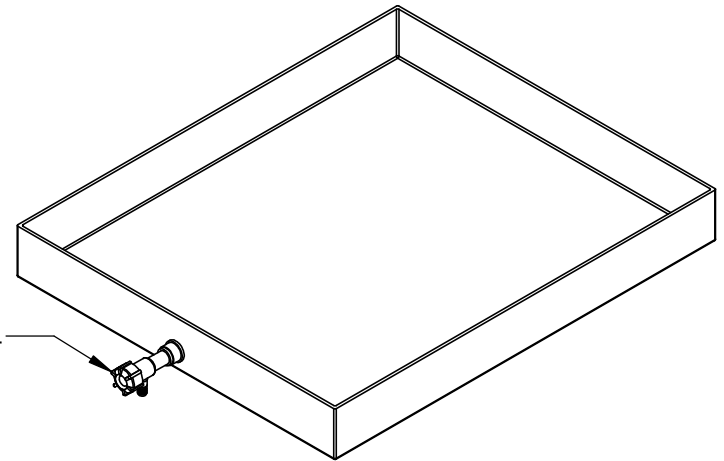


3/4" NPT PP  
Flow Spigot #16484



Polypropylene Tray/Tip  
Plating Tank #15480



1390 Neubrecht Road  
Lima, Ohio 45801

STOCK NO.

15480

REV

A

DO NOT SCALE DRAWING

WEIGHT: 15 lbs.

DIMENSIONS ARE IN INCHES  
TOLERANCE:  $\pm 1/4$ "

MATERIAL  
WELDED PP

CAPACITY  
N/A

GRADUATIONS  
N/A

NOMINAL WALL THICKNESS  
1/4"

	NAME	DATE
DRAWN	JMP	6/6/19
APPROVED		

COMMENTS:  
Other tray sizes,  
special partitions,  
flanges, outlets, etc.  
are available

**PROPRIETARY AND CONFIDENTIAL**

THE INFORMATION CONTAINED IN THIS  
DRAWING IS THE SOLE PROPERTY OF  
TAMCO. ANY REPRODUCTION IN PART  
OR AS A WHOLE WITHOUT THE WRITTEN  
PERMISSION OF TAMCO IS PROHIBITED.

MAX. OPERATING TEMP. 140°F  
INTERMITTENT SERVICE TO 160°F  
SEE CHEMICAL RESISTANCE  
CHART FOR COMPATABILITY