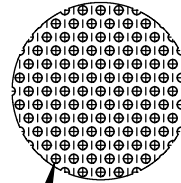
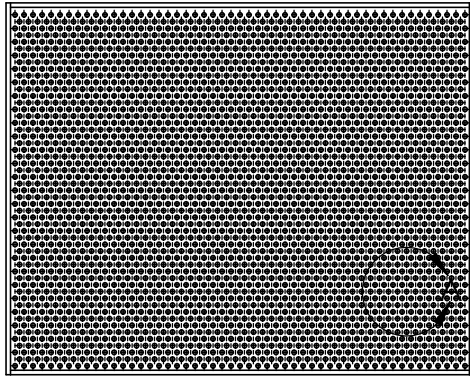
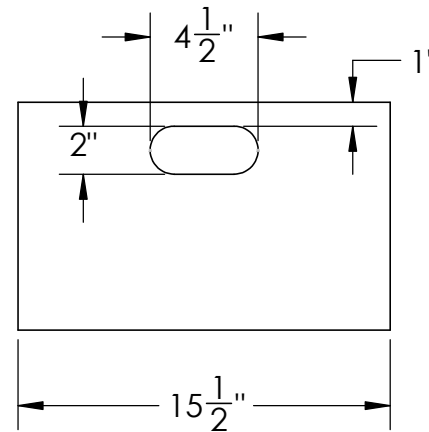
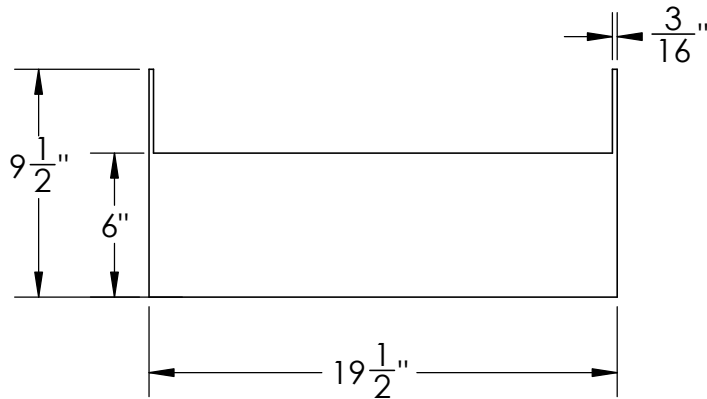
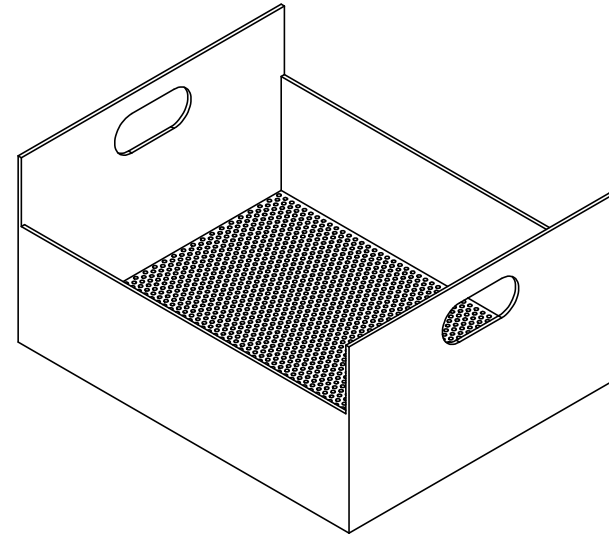



Fits 20" x 16" Tray



Ø 3/16"
 DETAIL A



19.5" x 15.5" Dipping Basket with 3/16" Perforations #15530



1390 Neubrecht Road
Lima, Ohio 45801

STOCK NO.	15530	REV	A
DO NOT SCALE DRAWING		WEIGHT: 7 lbs.	

DIMENSIONS ARE IN INCHES TOLERANCE: ± 1/4"		NAME	DATE
MATERIAL	Polypropylene	DRAWN	NJV 6/16/23
CAPACITY	N/A	APPROVED	
GRADUATIONS	N/A	COMMENTS: 3/16" Perforations Welded Construction	
NOMINAL WALL THICKNESS	Basket = 3/16"		

PROPRIETARY AND CONFIDENTIAL
THE INFORMATION CONTAINED IN THIS DRAWING IS THE SOLE PROPERTY OF TAMCO. ANY REPRODUCTION IN PART OR AS A WHOLE WITHOUT THE WRITTEN PERMISSION OF TAMCO IS PROHIBITED.

MAX. OPERATING TEMP. 200°F
SEE CHEMICAL RESISTANCE CHART FOR COMPATABILITY