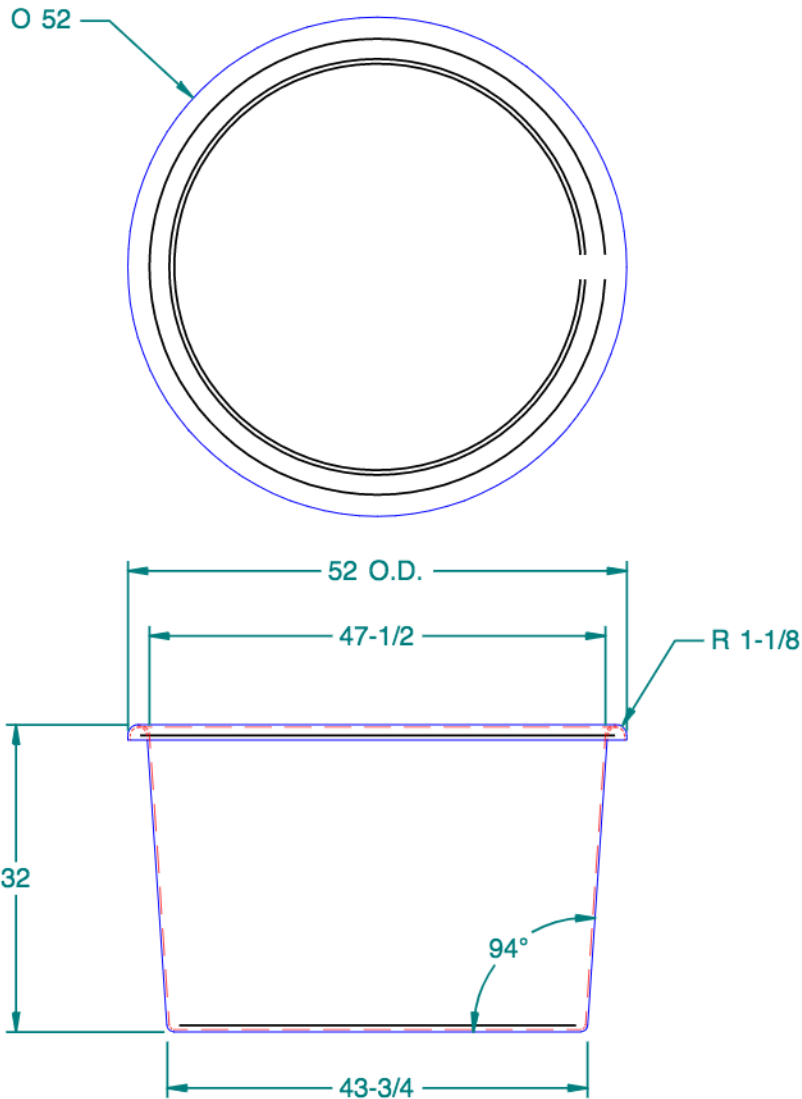
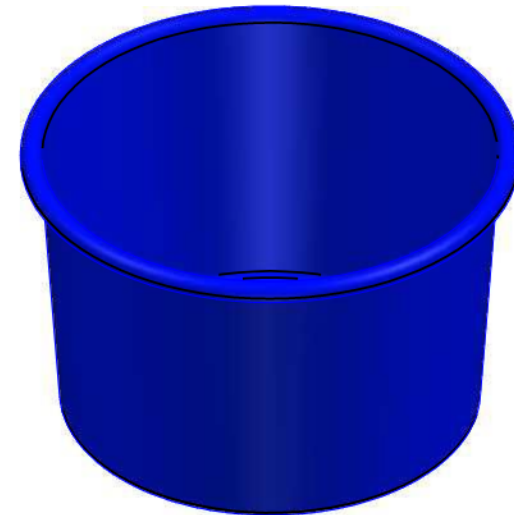


MAIN PRODUCT INFORMATION



REVISION HISTORY

REV	DESCRIPTION	DATE	APPROVED	Revised By
A	UPDATED DRAWING TEMPLATE	7/22/2009		



Weight: 51.587 lbm	NAME	DATE	 16160 Hwy 27 Lake Wales, FL 33859	
Wall Thickness: 0.250 in	Drawn By: mnegron	7/22/2009		
Customer Part No: NA	Customer APPR		Customer: Dura-Cast Products, Inc.	
Print Date: 7/22/2009	Copyright © 2007 Dura-Cast Products, Inc.		Part Title: WT-210 Open Top	
Comments: - UNLESS OTHERWISE SPECIFIED DIMENSIONS ARE IN INCHES - Std Radii 3/16"	Tolerance: UNLESS OTHERWISE SPECIFIED TOLERANCES ARE ±1%		File Name: 501210.dft	
	Size: A	Material: Polyethylene, low density	Rev: A	
Part No: 501210B		Do Not Scale	Sheet: 10F1	