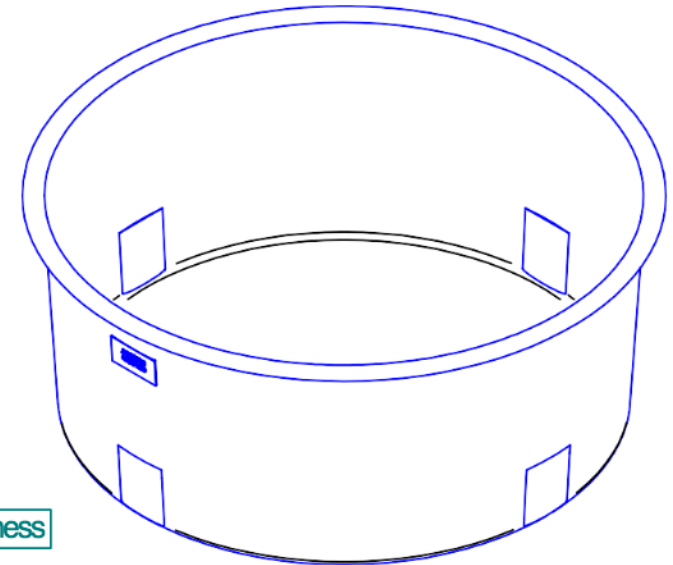
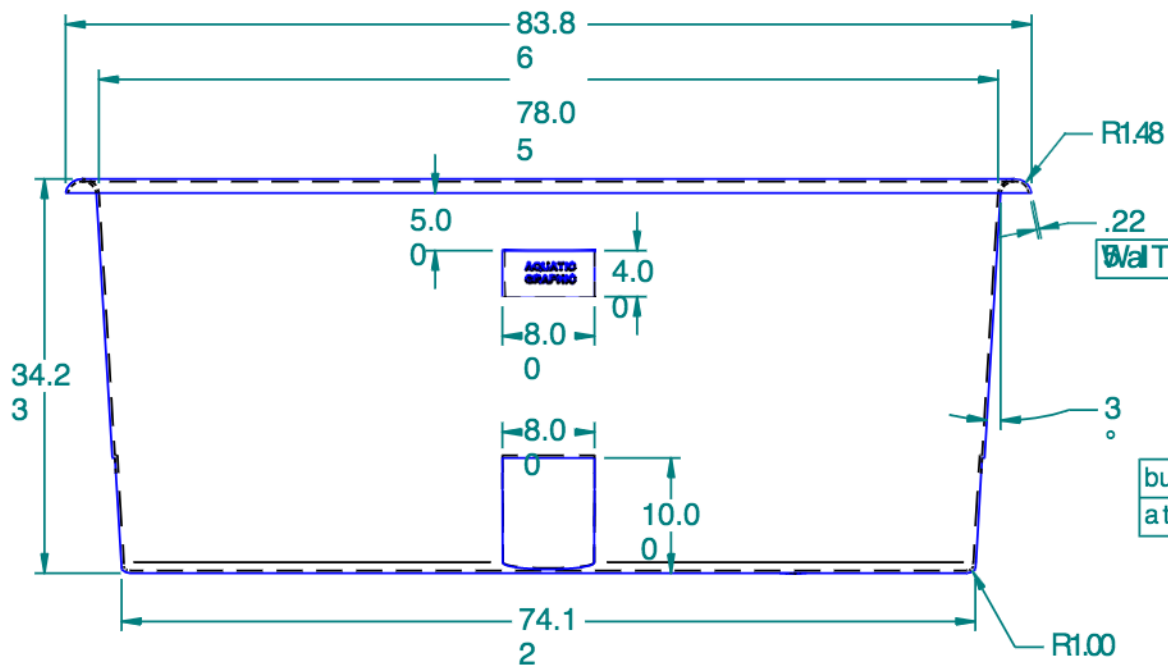


REVISION HISTORY

RE	DESCRIPTION	DATE	APPROVED
V			
1	increased draft angle from 2 to 3 degrees	2/11/04	
	released for production	2/13/04	



ISO View

Front View

Tank Capacity: 650 Gallons

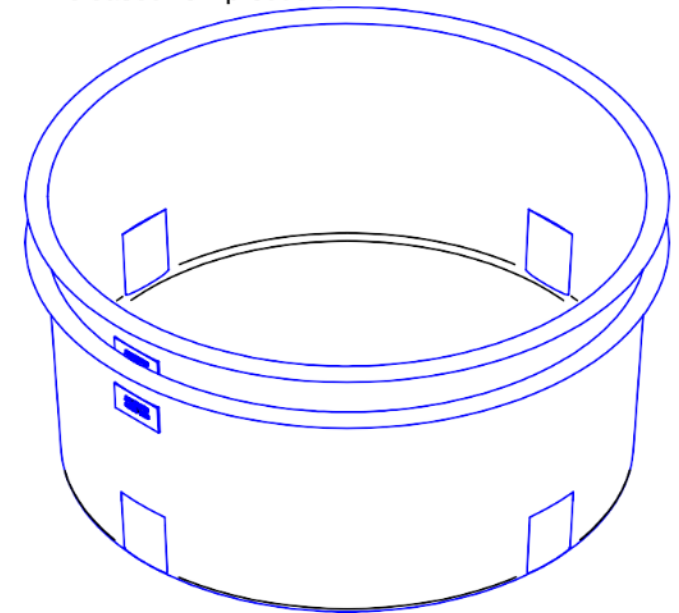
	NA	DATE
DRAWN	ME	2/19/2004
CHECKED	Michael1	
ENG APPR		
MGR APPR		

		16160 Hwy 27 Lake Wales, FL 33859	
TITL 650 Gallon Open Top			
E SIZE	MATERIAL LMDPE(114)Blue	RE	V
FILENAME WT650.dft			
PART#: 501650	WEIGHT: 100431 lbm	SHEET 1 OF 3	

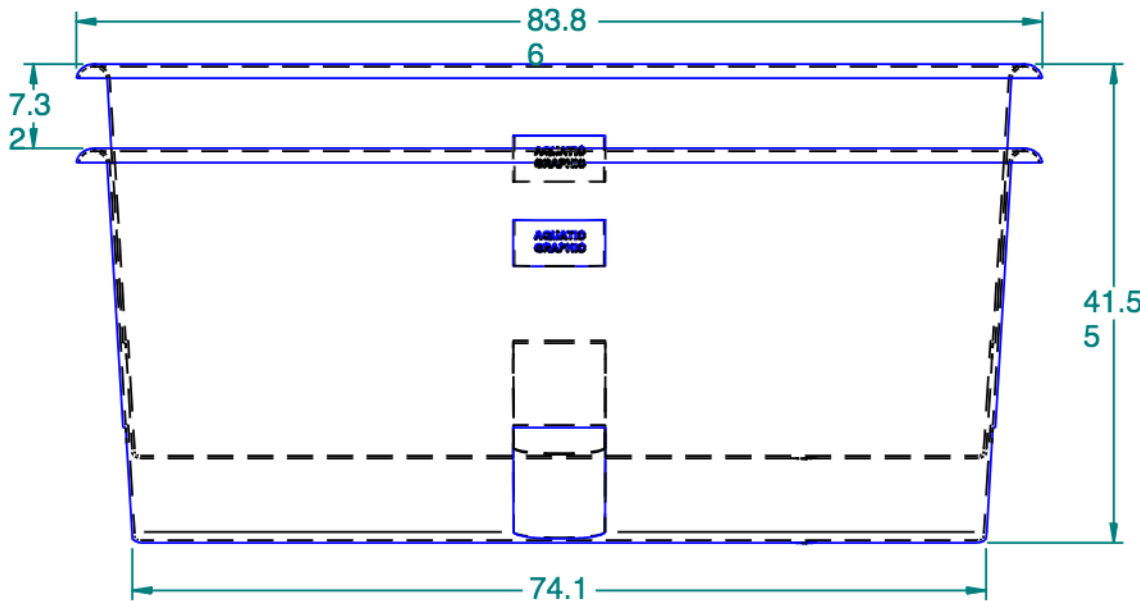
UNLESS OTHERWISE SPECIFIED
 DIMENSIONS ARE IN INCHES
 ANGLES ±0.5°
 2 PL ±0.125" 3 PL ±0.060"

REVISION HISTORY

RE	DESCRIPTION	DATE	APPROVED
V			
1	increased draft angle from 2 to 3 degrees	2/11/04	
	released for production	2/13/04	




ISOView Nest



Nesting View

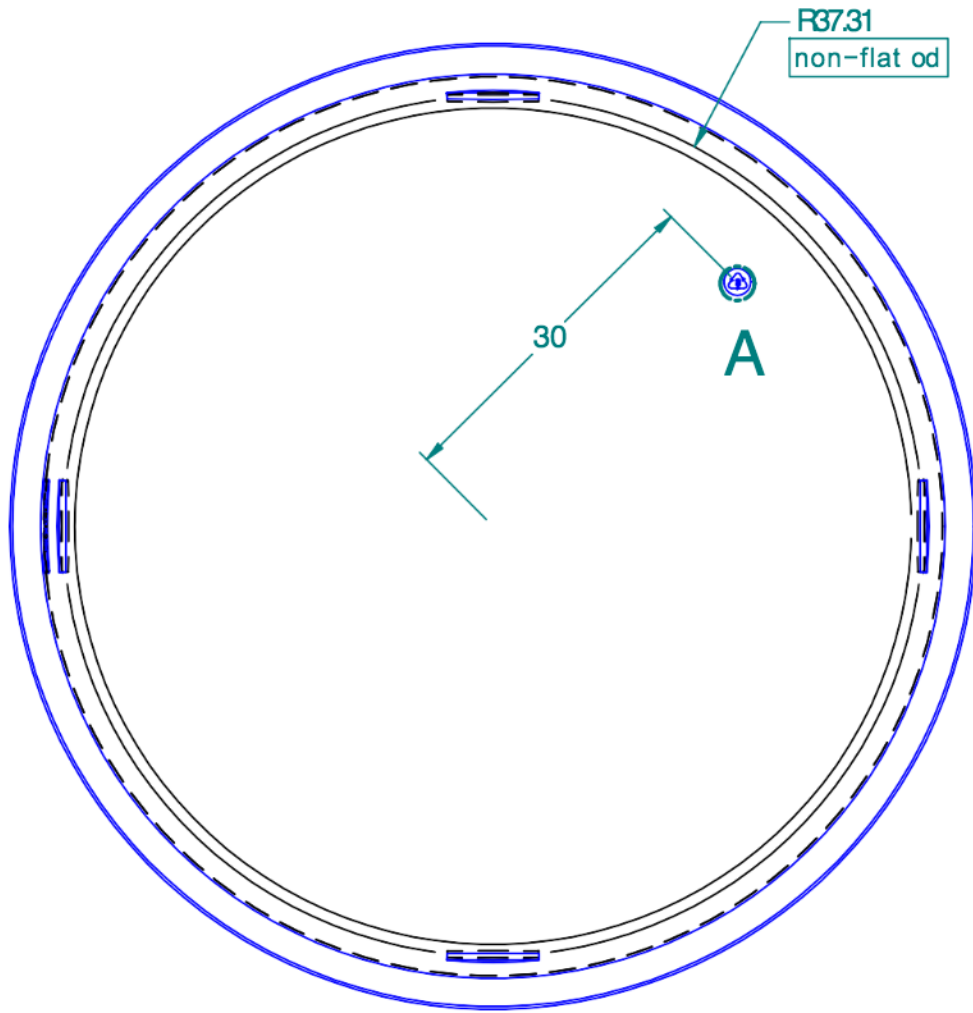
Tank Capacity: 650 Gallons

	NA	DATE
DRAWN	ME	2/19/2004
CHECKED	Michael1	
ENG APPR		
MGR APPR		

 DURACAST 16160 Hwy 27 Lake Wales, FL 33859		TITL 650 Gallon Open Top	
		E SIZE	MATERIAL LMDPE(114)Blue
FILE NAME VWT650.dft			
PART# 501650	WEIGHT: 100431 lbm	SHEET 2 OF 3	

UNLESS OTHERWISE SPECIFIED
 DIMENSIONS ARE IN INCHES
 ANGLES ±0.5°
 2 PL ±0.125' 3 PL ±0.060'

REVISION HISTORY			
RE	DESCRIPTION	DATE	APPROVED
V			
1	increased draft angle from 2 to 3 degrees	2/11/04	
	released for production	2/13/04	



Bottom View

HDPE
#2 Recycle Logo



DETA LA

Note: Recycle logo placement not critical, cannot be on center

Tank Capacity: 650 Gallons		
	NA	DATE
DRAWN	ME	2/19/2004
CHECKED	Michael1	
ENG APPR		
MGR APPR		

		16160 Hwy 27 Lake Wales, FL 33859	
TITL 650 Gallon Open Top			
E	MATERIAL: HDPE(114)Blue	RE	V
SIZE	FILENAME: WT650.dft		
PART#: 501650	WEIGHT: 100431 lbm	SHEET 3 OF 3	

UNLESS OTHERWISE SPECIFIED
DIMENSIONS ARE IN INCHES
ANGLES ±0.5°
2 PL ±0.125' 3 PL ±0.060'