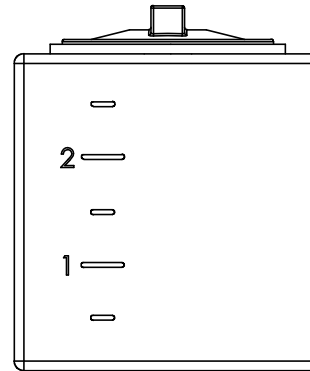
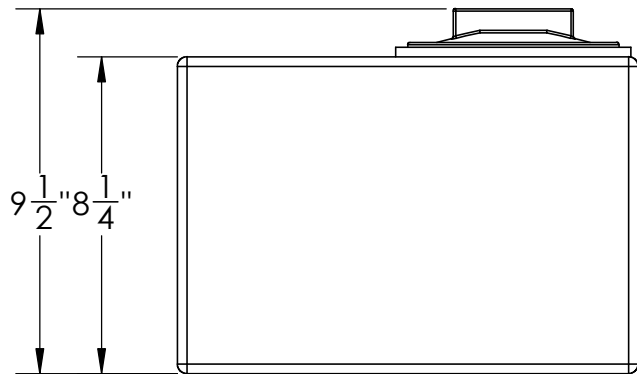
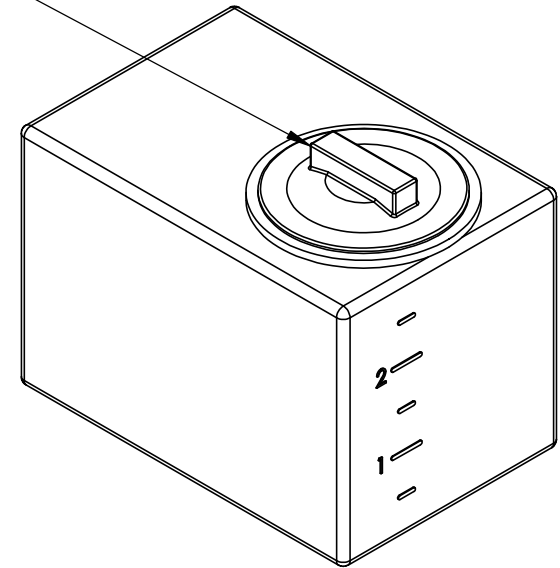


4" Ring & Cap
Lid Assembly
#970225



2.5 Gal Rectangular Utility Tank
w/ 4" Lid



1390 Neubrecht Road
Lima, Ohio 45801

STOCK NO.
15746, 27679, 27680

REV
A

DO NOT SCALE DRAWING

WEIGHT: 4.25 lbs

DIMENSIONS ARE IN INCHES TOLERANCE: ± 1/4"	
MATERIAL	LLDPE - FDA resin
CAPACITY	2.5 Gallon
GRADUATIONS	1/2 Gallon
NOMINAL WALL THICKNESS	3/16"

	NAME	DATE
DRAWN	JMP	01/04/21
APPROVED		
REVISIONS	NJV	6/2/26
COMMENTS:		
Natural, Black, Blue		

PROPRIETARY AND CONFIDENTIAL
THE INFORMATION CONTAINED IN THIS DRAWING IS THE SOLE PROPERTY OF TAMCO. ANY REPRODUCTION IN PART OR AS A WHOLE WITHOUT THE WRITTEN PERMISSION OF TAMCO IS PROHIBITED.

MAX. OPERATING TEMP. 140°F
INTERMITTENT SERVICE TO 160°F
SEE CHEMICAL RESISTANCE CHART FOR COMPATIBILITY