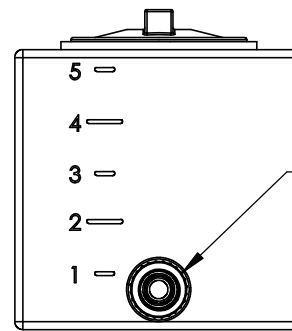
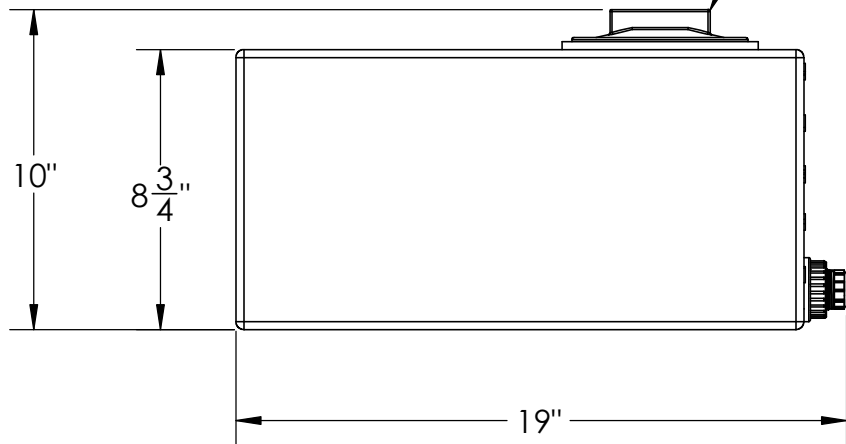


Lid and Flange Assembly



1/2" Polypropylene Bulkhead Fitting

Natural Rectangular Utility Tank
#15749



STOCK NO. **15749** REV **A**

DO NOT SCALE DRAWING

WEIGHT: 5 lbs.

DIMENSIONS ARE IN INCHES TOLERANCE: ± 1/4"		NAME	DATE
MATERIAL	LLDPE - FDA resin	DRAWN	JMP 01/04/21
CAPACITY	5 Gallon	APPROVED	
GRADUATIONS	1 Gallon	REVISIONS	
NOMINAL WALL THICKNESS	3/16"	COMMENTS: Natural UV Stabilized	

PROPRIETARY AND CONFIDENTIAL
THE INFORMATION CONTAINED IN THIS DRAWING IS THE SOLE PROPERTY OF TAMCO. ANY REPRODUCTION IN PART OR AS A WHOLE WITHOUT THE WRITTEN PERMISSION OF TAMCO IS PROHIBITED.

MAX. OPERATING TEMP. 140°F
INTERMITTENT SERVICE TO 160°F
SEE CHEMICAL RESISTANCE CHART FOR COMPATIBILITY