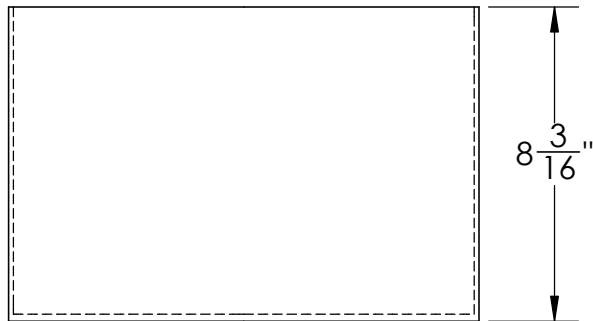
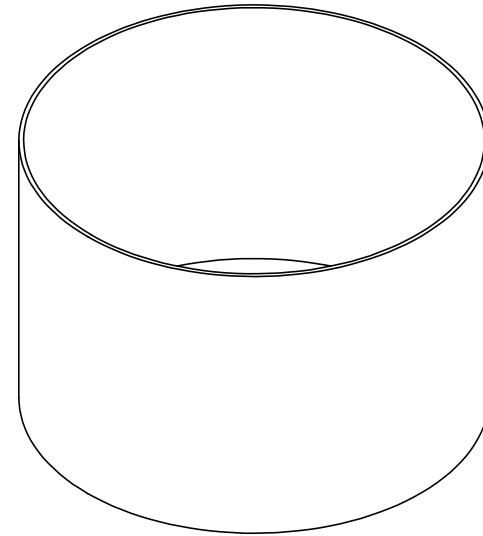
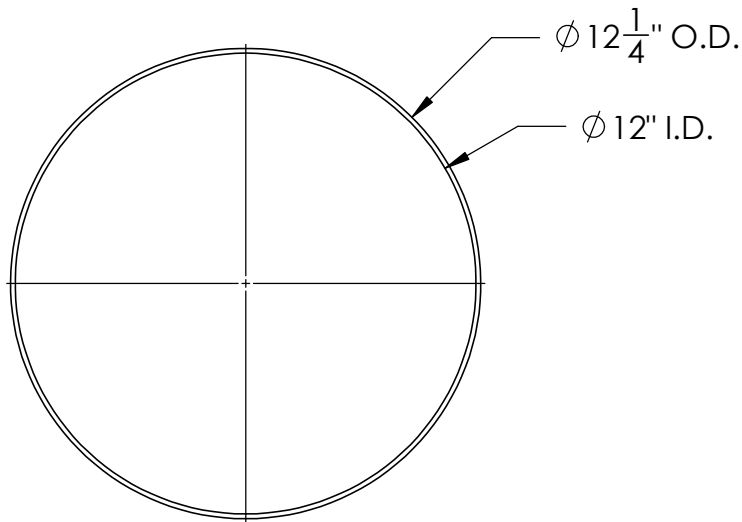


Catalog options:  
Cover # 15785



Polyethylene Round Tray  
#15770



1390 Neubrecht Road  
Lima, Ohio 45801

STOCK NO.

15770

REV

A

DO NOT SCALE DRAWING

WEIGHT: 2 lbs.

DIMENSIONS ARE IN INCHES  
TOLERANCE:  $\pm 1/4"$

MATERIAL  
WELDED PE

CAPACITY  
3.7 Gal.

GRADUATIONS  
N/A

NOMINAL WALL THICKNESS  
3/16" bottom 1/8" sides

	NAME	DATE
DRAWN	JMP	6/6/19
APPROVED		

COMMENTS:

Other tray sizes,  
special partitions,  
flanges, outlets, etc.  
are available

**PROPRIETARY AND CONFIDENTIAL**

THE INFORMATION CONTAINED IN THIS  
DRAWING IS THE SOLE PROPERTY OF  
TAMCO. ANY REPRODUCTION IN PART  
OR AS A WHOLE WITHOUT THE WRITTEN  
PERMISSION OF TAMCO IS PROHIBITED.

MAX. OPERATING TEMP. 140°F  
INTERMITTENT SERVICE TO 160°F  
SEE CHEMICAL RESISTANCE  
CHART FOR COMPATIBILITY