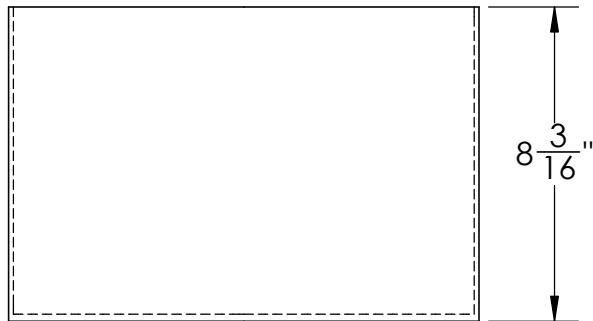
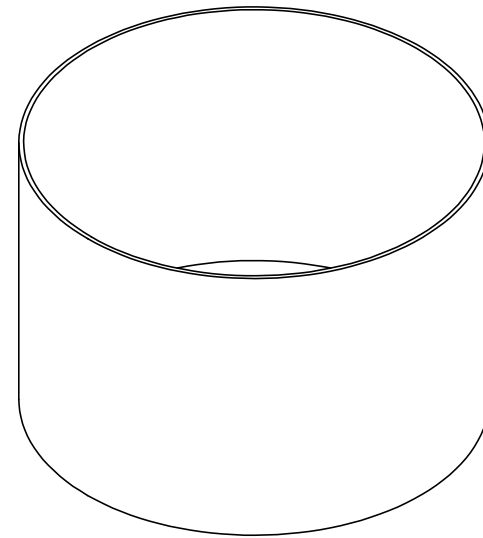
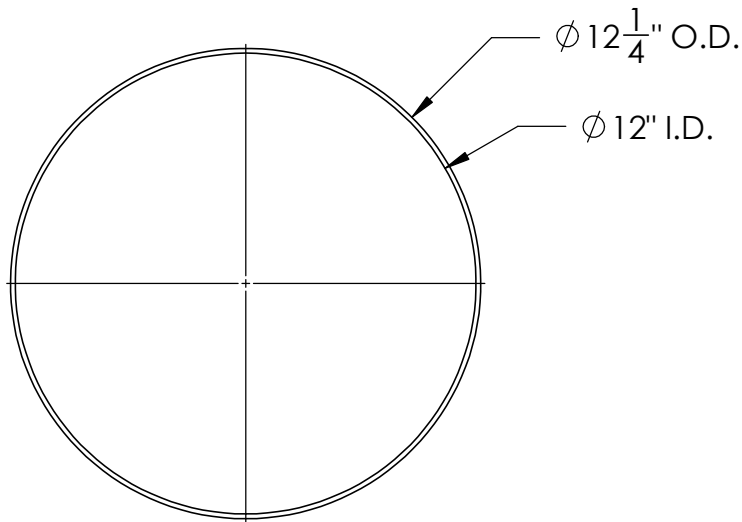


Catalog options:
Cover # 15789



Polypropylene Round Tray
#15778



1390 Neubrecht Road
Lima, Ohio 45801

STOCK NO.	15778	REV	A
-----------	-------	-----	---

DO NOT SCALE DRAWING

WEIGHT: 2 lbs.

DIMENSIONS ARE IN INCHES TOLERANCE: ± 1/4"		DRAWN	JMP	DATE	6/12/19
MATERIAL WELDED PP		APPROVED			
CAPACITY	3.7 Gal.	COMMENTS: Other tray sizes, special partitions, flanges, outlets, etc. are available			
GRADUATIONS	N/A				
NOMINAL WALL THICKNESS	3/16" bottom 1/8" sides				

PROPRIETARY AND CONFIDENTIAL
THE INFORMATION CONTAINED IN THIS DRAWING IS THE SOLE PROPERTY OF TAMCO. ANY REPRODUCTION IN PART OR AS A WHOLE WITHOUT THE WRITTEN PERMISSION OF TAMCO IS PROHIBITED.

MAX. OPERATING TEMP. 140°F
INTERMITTENT SERVICE TO 160°F
SEE CHEMICAL RESISTANCE
CHART FOR COMPATIBILITY