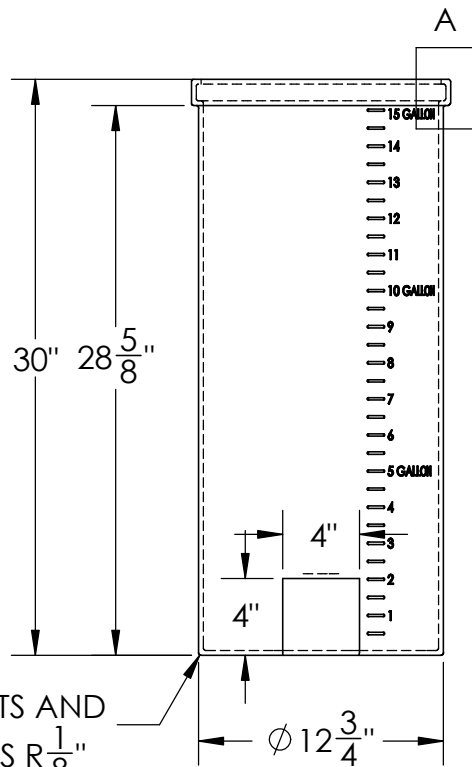
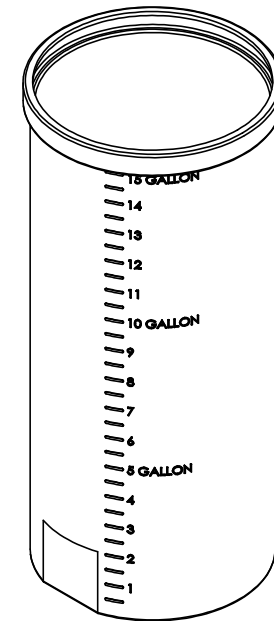


DETAIL A



ALL FILLETS AND ROUNDS R 1/8"

Extra Heavy Wall Polyethylene Tank w/ External Flange #15920



1390 Neubrecht Road
Lima, Ohio 45801

DIMENSIONS ARE IN INCHES TOLERANCE: $\pm 1/4$ "		NAME	DATE
MATERIAL	LLDPE - FDA resin	DRAWN	CDH 11/15/16
CAPACITY	15 US gal.	APPROVED	BAT 11/15/16
GRADUATIONS	1/2 gal.	REVISIONS	JMP 7/2/19
NOMINAL WALL THICKNESS	1/4"	COMMENTS:	Blue UV Stabilized

STOCK NO.	15920	REV	A
DO NOT SCALE DRAWING		WEIGHT: 11.5 lbs.	

PROPRIETARY AND CONFIDENTIAL
THE INFORMATION CONTAINED IN THIS DRAWING IS THE SOLE PROPERTY OF TAMCO. ANY REPRODUCTION IN PART OR AS A WHOLE WITHOUT THE WRITTEN PERMISSION OF TAMCO IS PROHIBITED.

MAX. OPERATING TEMP. 140°F
INTERMITTENT SERVICE TO 160°F
SEE CHEMICAL RESISTANCE CHART FOR COMPATIBILITY