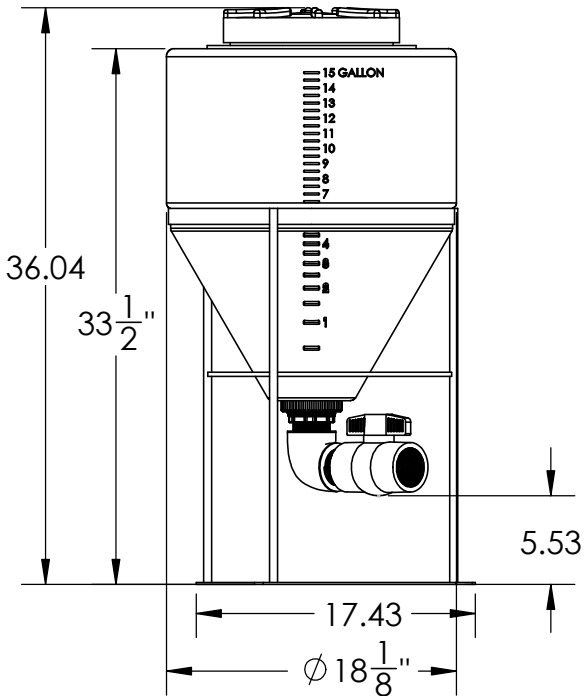


Ø 18 ¹/₈"

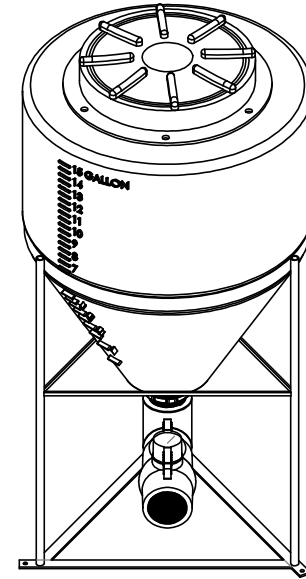


15 gal Tank
#14431

2" Valve Kit
#16208

12.5" Lid

Tank Stand
#14474



15 Gallon Cone Bottom Tank
with 2" Fitting, 2" Valve Kit,
12.5" Lid & Stand #16211



1390 Neubrecht Road
Lima, Ohio 45801

STOCK NO.

16211

REV

A

DO NOT SCALE DRAWING

WEIGHT: 7 lbs.

DIMENSIONS ARE IN INCHES TOLERANCE: ± 1/4"		NAME	DATE
MATERIAL LLDPE - FDA resin		DRAWN	NJV 6/22/23
CAPACITY 15 US gal.		APPROVED	
GRADUATIONS 1/2 gal.		COMMENTS: Translucent UV Stabilized	
NOMINAL WALL THICKNESS 3/16"			

PROPRIETARY AND CONFIDENTIAL

THE INFORMATION CONTAINED IN THIS
DRAWING IS THE SOLE PROPERTY OF
TAMCO. ANY REPRODUCTION IN PART
OR AS A WHOLE WITHOUT THE WRITTEN
PERMISSION OF TAMCO IS PROHIBITED.

MAX. OPERATING TEMP. 140°F
INTERMITTENT SERVICE TO 160°F
SEE CHEMICAL RESISTANCE
CHART FOR COMPATIBILITY