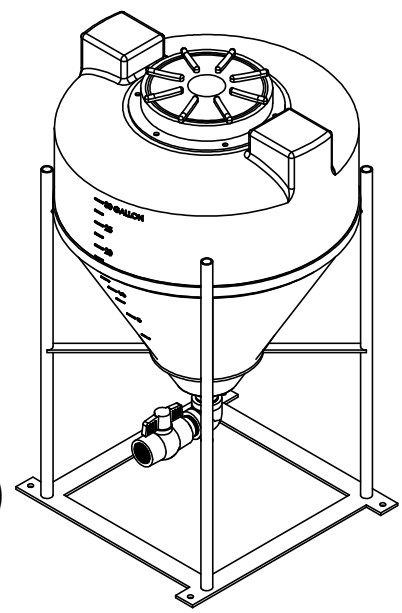


12.5" Lid
#970185

Mixer
Mounts (2)



30 Gal Tank
#14436

Tank Stand
#14475

1.5" Bossweld
Fitting #970177

1.5" Valve Kit
#16207

30 Gallon Cone Bottom Tank
with Mixer Mounts, 1.5" Fitting,
1.5" Valve Kit, 12.5" Lid & Stand

TAMCO
INDUSTRIES
1390 Neubrecht Road
Lima, Ohio 45801

PROPRIETARY AND CONFIDENTIAL
THE INFORMATION CONTAINED IN THIS
DRAWING IS THE SOLE PROPERTY OF
TAMCO. ANY REPRODUCTION IN PART
OR AS A WHOLE WITHOUT THE WRITTEN
PERMISSION OF TAMCO IS PROHIBITED.

MAX. OPERATING TEMP. 140°F
INTERMITTENT SERVICE TO 160°F
SEE CHEMICAL RESISTANCE
CHART FOR COMPATABILITY

DIMENSIONS ARE IN INCHES TOLERANCE: ± 1/4"		NAME	DATE
MATERIAL	LLDPE - FDA resin	DRAWN	NJV 6/23/23
CAPACITY	30 US gal.	APPROVED	
GRADUATIONS	2-1/2 gal.	COMMENTS:	
NOMINAL WALL THICKNESS	3/16"	Translucent UV Stabilized Full Drain	

STOCK NO.	16216	REV	B
DO NOT SCALE DRAWING		WEIGHT: 14 lbs.	